

Note:

1. Material:

- 1.1 Housing: LCP GLASS FIBRE, UL94v-0
- 1.2 Contact-1: C5191 T=0.20mm
- 1.3 Contact-2: SUS201 T=0.40mm
- 1.4 Shell: SUS201 T=0.20mm

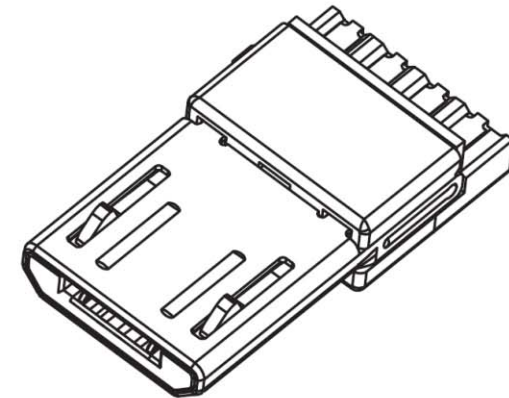
2. Specification:

- 2.1 Current rating: 1 A Max.
- 2.2 Dielectric withstanding
voltage: 100 V(ac) for 1 min.
- 2.3 Contact resistance: 50 mΩ Max.
- 2.4 Insulation resistance: 100 MΩ Min.
- 2.5 Total mating force: 3.57 Kgf Max.
- 2.6 Total unmating force: 1.0 Kgf Min. $0.81 \sim 2.05$ Kgf Min. after 10000 insertion/extraction cycles
- 2.7 Temperature range: $-30^{\circ} \text{C} \sim 80^{\circ} \text{C}$

3. 电镀:

- 3.1 SHELL: 镀镍80u~120u
- 3.2 CONTACT: 镍底50u 镀锡100u 接触部分按客户要求Xu

4. 未标示公差请查询公差表.



RoHS Compliant

TOLERANCES ARE

MORETHANALL
PCB CONNECTORS
Cable ASSEMBLIES

DRAWING BY CY

CHECKED BY GENIUS

UNIT / mm

SCALE 1 : 1

DATE

SIZE A4

PPOJECTION

X, ±
.X ± 0.20
.XX ± 0.15
.XXX ± 0.05
ANG ±

照片框

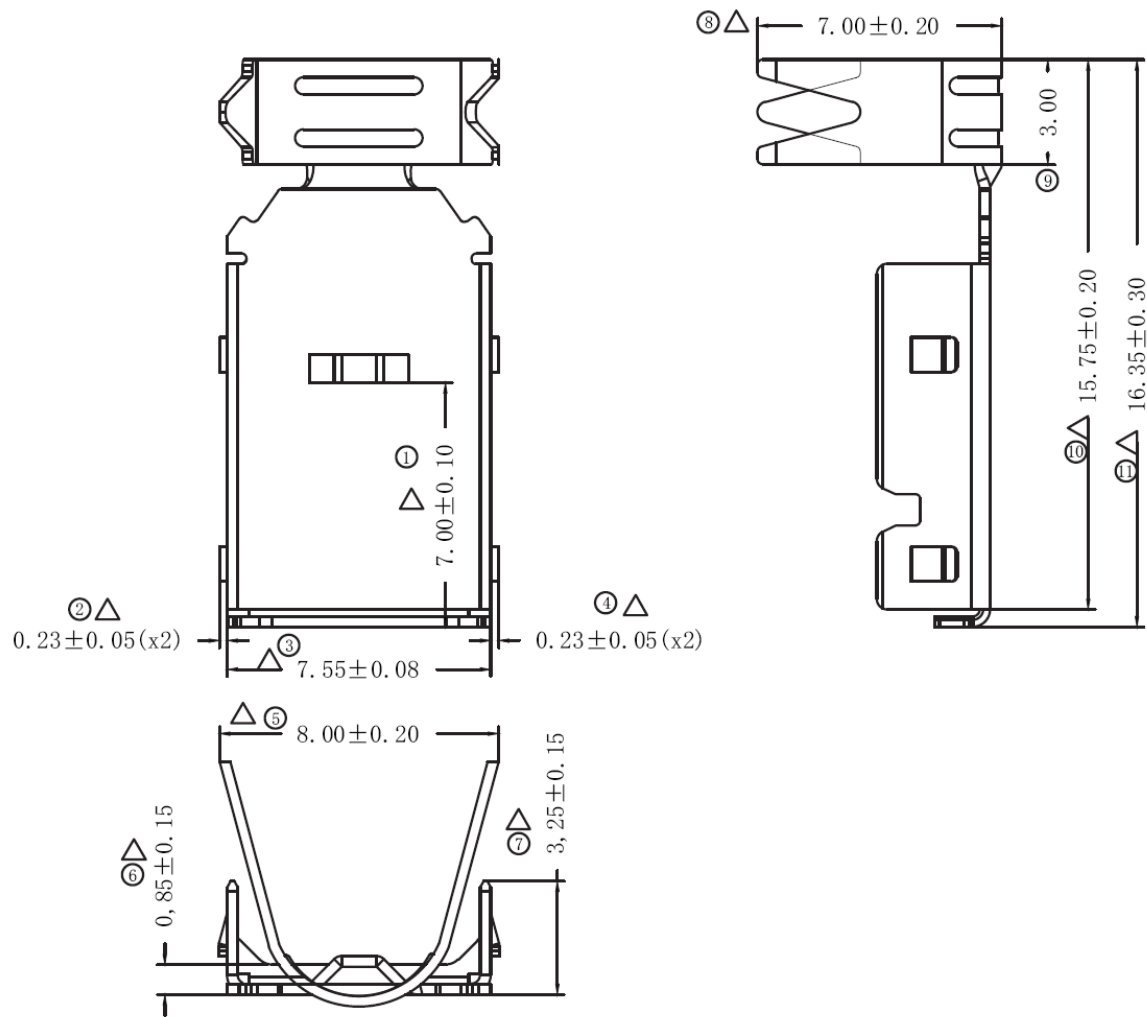
ORDER INFORMATION

MISB-PS-5B4-LF
SERIES | LEADFREE
5P4C B TYPE
SOLDER
MALE

煜倫股份有限公司

www.morethanall.com

DESCRIPTION: MICRO USB 5PM 前五后四 三件式 Model



备注:

1. 产品不能有压伤变形、模痕;
2. 允许毛边0.05mm MAX;
3. 材质: SPCC, T=0.30mm;
4. 电镀: Ni80u"Min;

RoHS Compliant

TOLERANCES ARE

MORETHANALL
PCB CONNECTORS
Cable ASSEMBLIES

煜倫股份有限公司

www.morethanall.com

DRAWING BY CY

CHECKED BY GENIUS

UNIT / mm

SCALE 1 : 1

DATE

SIZE A4

X, ±
.X ± 0.20
.XX ± 0.15
.XXX ± 0.05
ANG ±

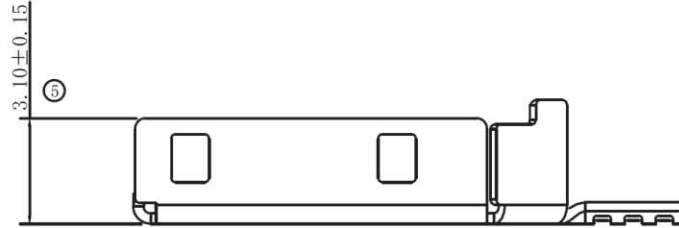
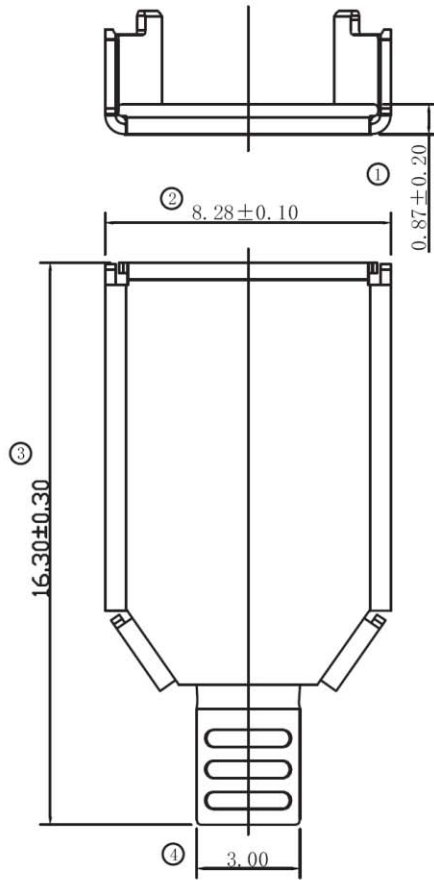
PPOJECTION

照片框

ORDER INFORMATION

MISB-PS-5B4-LF
SERIES | LEADFREE
5P4C B TYPE
SOLDER
MALE

DESCRIPTION: MICRO USB B/M 5P 上蓋 (大線夾A款)



备注:

1. 产品不能有压伤变形、模痕;
2. 允许毛边0.05mm MAX;
3. 材质: SPCC, T=0.30mm;
4. 电镀: Ni80u"Min;

RoHS Compliant

TOLERANCES ARE

MORETHANALL
PCB CONNECTORS
Cable ASSEMBLIES

煜倫股份有限公司

www.morethanall.com

DRAWING BY CY

CHECKED BY GENIUS

UNIT / mm

SCALE 1 : 1

DATE

SIZE A4

X, ±
.X ± 0.20
.XX ± 0.15
.XXX ± 0.05
ANG ±

PPOJECTION

照片框

ORDER INFORMATION

MISB-PS-5B4-LF
SERIES | LEADFREE
5P4C B TYPE
SOLDER
MALE

DESCRIPTION: MICRO USB B/M 5P 下蓋 (線夾A款雙卡點)