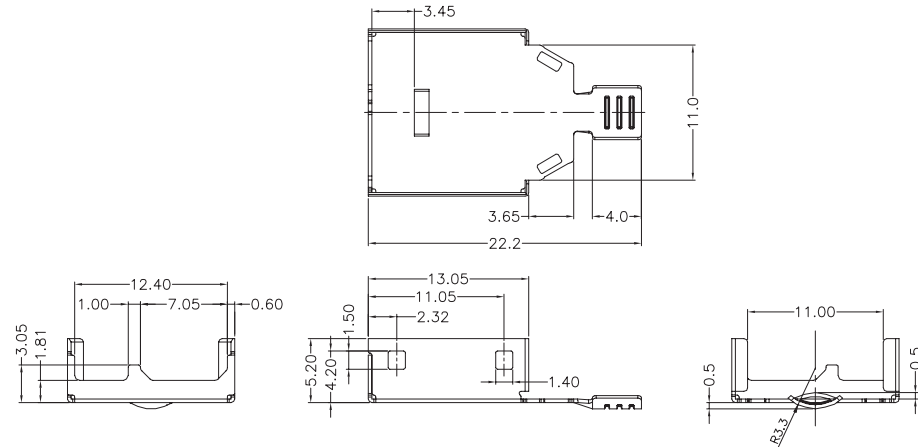
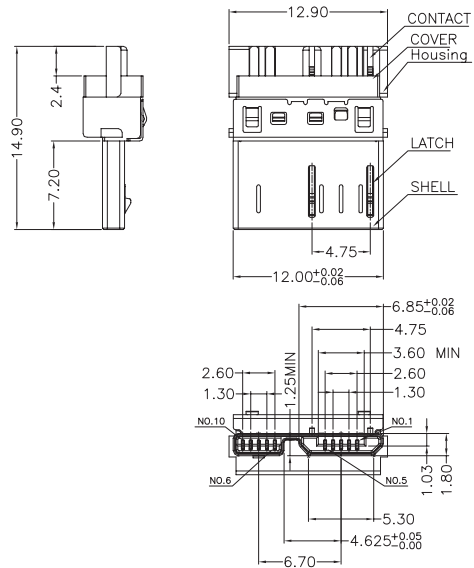


BOTTOM SHELL



HOUSING & COVER & CONTACT & LATCH



Specification

1. Material
 - SHELL & LATCH : STAINLESS STEEL
 - HOUSING & COVER : THERMPOLYMER (UL 94-V0)
 - CONTACT : COPPER ALLOY GOLD-PLATING ON CONTACT
TI-PLATING ON SOLDER TAIL AREA
2. CURRENT RATING
 - 1.8 AMP FOR PIN1 & PIN4
 - 0.25 AMP FOR OTHER CONTACTS
3. VOLTAGE RATING : 30V
4. INSULATION RESISTANCE : 100MΩ MIN
5. CONTACT RESISTANCE
 - 30mΩ MAX FOR PIN1 & PIN4
 - 50mΩ MAX FOR OTHER CONTACTS
6. DIELECTRIC WITHSTANDING VOLTAGE : 100V AC
7. TEMPERATURE RANGE : -20°C TO +85°C

RoHS Compliant

TOLERANCES ARE

MORETHANALL
PCB CONNECTORS
Cable ASSEMBLIES

DRAWING BY CY

X, ±

CHECKED BY GENIUS

.X ±

UNIT / mm

SCALE 1 : 1

.XXX ±

DATE

ANG ±

SIZE A4

PJECTION

照片框

ORDER INFORMATION

MISB-PS-10B-LF

SERIES | LEADFREE
| 10 PIN B TYPE
| SOLDER
| MALE

煜倫股份有限公司

www.morethanall.com

DESCRIPTION: