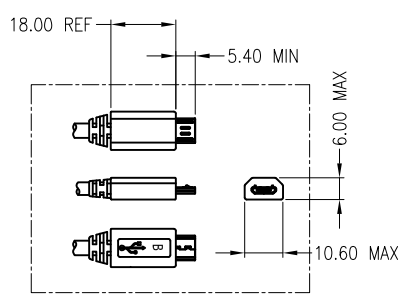
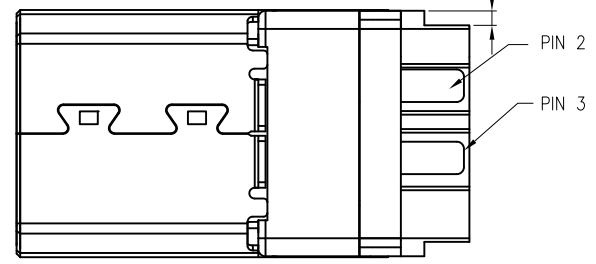
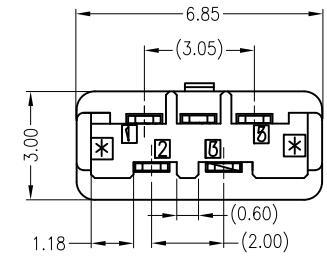
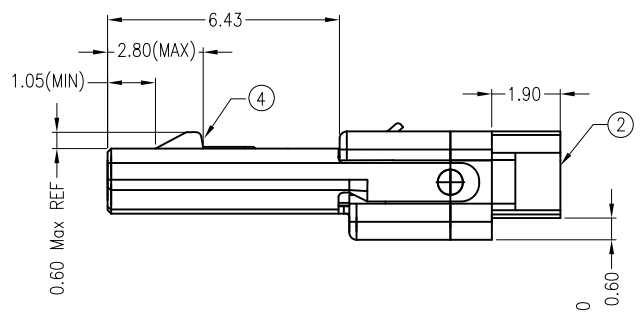
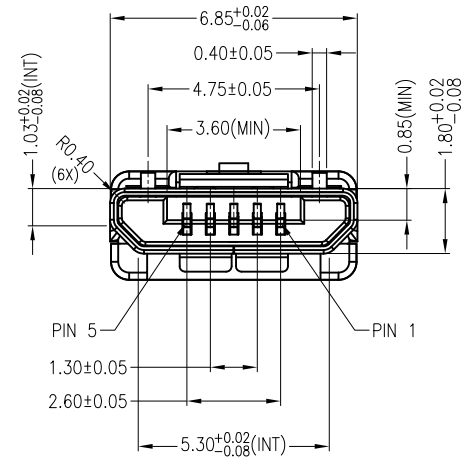
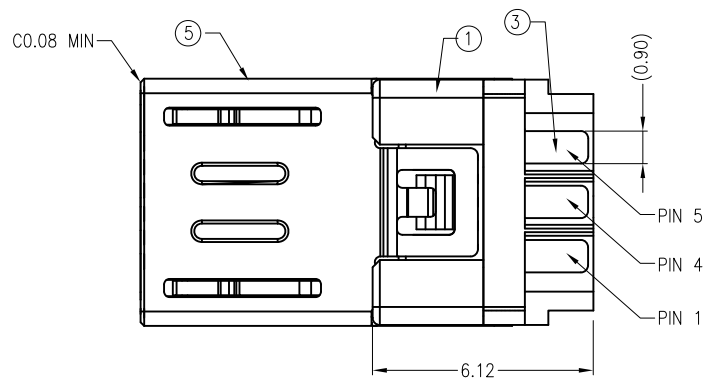


PIN NO.	SIGNAL NAME
PIN 1	VBUS
PIN 2	D-
PIN 3	D+
PIN 4	SHIELD
PIN 5	GND
SHELL	SHIELD



Reference Mold Boot

5	FRONT SHELL	STAINLESS STEEL, T=0.20	Ni 20u" PLATED
4	LATCH	STAINLESS STEEL, T=0.40	
3	CONTACT	COPPER ALLOY, T=0.20	CONTACT AREA: SEE NOTE SOLDER AREA: Sn 50u". UNDER-PLATING: Ni SEE NOTE
2	COVER	HIGH TEMPERATURE THERMOPLASTICS	COLOR:BLACK
1	HOUSING	HIGH TEMPERATURE THERMOPLASTICS	COLOR:BLACK
ITEM	DESC.	MATERIAL	REMARKS

RoHS Compliant

TOLERANCES ARE

**MORETHANALL**  
PCB CONNECTORS  
Cable ASSEMBLIES

DRAWING BY CY

X, ±

CHECKED BY GENIUS

.X ±

UNIT / mm

SCALE 1 : 1

.XXX ±

DATE

ANG ±

煜倫股份有限公司

www.morethanall.com

SIZE A4

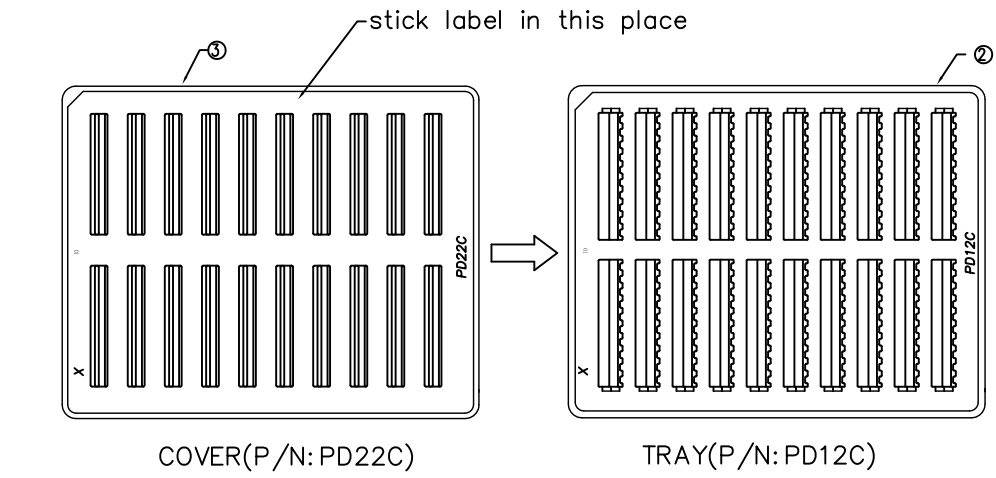
P PROJECTION

照片框

ORDER INFORMATION

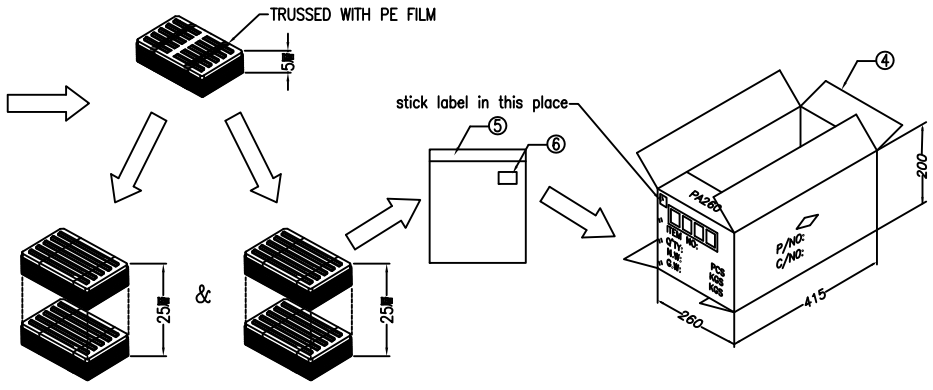
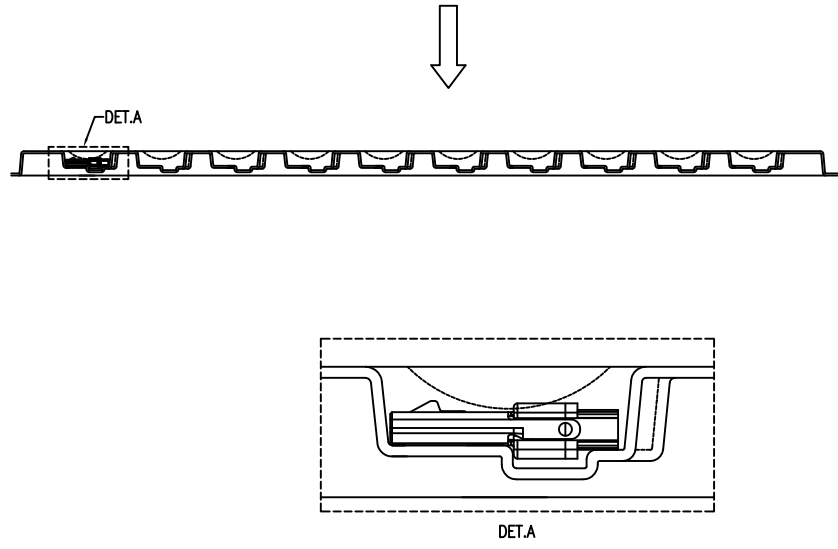
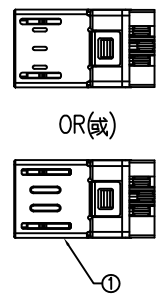
MISB-PM12S30-5B-LF  
SERIES | | | | LEADFREE  
5 PIN B TYPE  
SEMI GOLD 30u"  
LONG 12.55mm  
MOLDING  
MALE

DESCRIPTION: MICRO USB-B PLUG SOLDER CONNECTOR



NOTES:

- 1. QUANTITY/TRAY: 200PCS/TRAY  
數量/盤 : 200PCS/盤
- QUANTITY/CARTON: 200X25X2=10000 PCS/CARTON  
數量/外箱 : 10,000PCS/外箱
- N.W : 4.79Kg 重 : 4.79Kg
- G.W : 8.13±0.3Kg 毛重 : 8.13±0.3Kg
- 2.AV3CA\*05\*Q:NO. ONE "\*" ON BEHALF OF "0","1","2","3"  
NO.TWO "\*" ON BEHALT OF "K","H","E","C","A".  
AV3CA\_05\*\_0 : 第一個 "\*" 代表 "0","1","2","3"  
第二個 "\*" 代表 "K","H","E","C","A".



ITEM	DESC.	MATERIAL	REMARKS
6	DESICCANT(干燥剂)		
5	PE BAG(PE防潮开口袋)	PE	
4	OUTER CARTON(外纸箱)	K=A	
3	COVER(上盖)	PET(TRANSPARENCE)	
2	TRAY(下盖)	PET(TRANSPARENCE)	
1	PRODUCT(产品)		

RoHS Compliant

TOLERANCES ARE

**MORETHANALL**  
PCB CONNECTORS  
Cable ASSEMBLIES  
煜倫股份有限公司  
www.morethanall.com

DRAWING BY CY  
CHECKED BY GENIUS  
UNIT / mm SCALE 1 : 1  
DATE  
SIZE A4 PPROJECTION

X, ±  
.X ±  
.XX ±  
.XXX ±  
ANG ±

照片框

ORDER INFORMATION

MISB-PM12S30-5B-LF  
SERIES | LEADFREE  
5 PIN B TYPE  
SEMI GOLD 30u"  
LONG 12.55mm  
MOLDING  
MALE

DESCRIPTION: