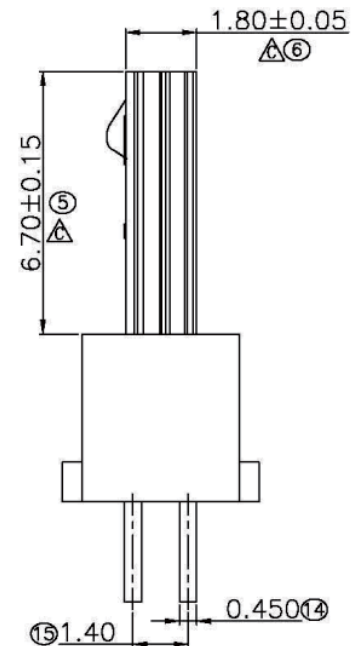


REMARKS:

1. MATERIAL:
 - 1.1 HOUSING: PA G30, COLOR:BLACK.
 - 1.2 CONTACT: C5191R-H
 - 1.3 LOCK: SUS304
 - 1.4 SHELL: SUS304
2. PLATING:
 - 2.1 CONTACT: GOLD PLATED OVER NICKEL ON CONTACT AREA AND 50u" MIN. TIN PLATED OVER NICKEL ON SOLDER TAILS



MORETHANALL
PCB CONNECTORS
Cable ASSEMBLIES

煜倫股份有限公司

www.morethanall.com

RoHS Compliant

DRAWING BY CY

CHECKED BY GENIUS

UNIT/mm SCALE 1:1

DATE

SIZE A4

TOLERANCES ARE

X. ±

.X ±

.XX ±

.XXX ±

ANG ±

PROJECTION

照片框

ORDER INFORMATION

MISB-PM-7B-LF
SERIES | LEADFREE
7 PIN B TYPE
MOLDING
MALE

DESCRIPTION: