

Note:

1.Material:

1.1 Insulator: LCP UL 94-V0 rated.

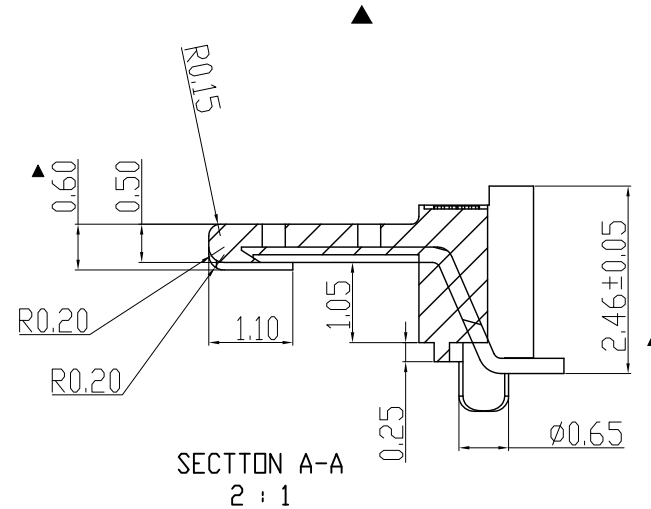
1.2 Contact: Brass,t=0.20mm.

2.Finishes:

2.1 Contacts: Gold flashed 1u",3u",5u",10U",15u",30u".

3. 須使用環保材料,符合 ROHS 環境物質管理標準;

4.加 " "為重點檢驗尺寸.



MISB-PAXC-5A-LF
LEADFREE
RoHS Compliant

2	CONTACT	5	BRASS	T=0.20±0.01mm	Gold Flashed
1	HOUSING	1	LCP		Black
No.	Part Name	Q'ty	Material	Thickness	Finish

MORETHANALL
CONNECTORS
ASSEMBLIES

PART NO. MISB-PAXC-5A

DWG NO. MISB-PAXC-5A

FILE NO.

CHECKED BY CY

DRAWING BY

TOLERANCES ARE
.X ± 0.2
.XX ±
.XXX ±
AWG

DESCRIP TION:			
AREA	REVISIONS	HK	DATE

煜倫股份有限公司

UNIT / mm

SCALE 1:1

PROJECTION