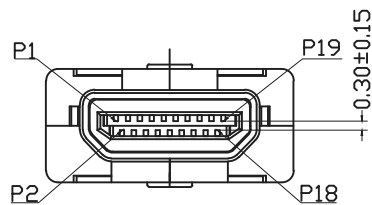


NOTE:

1. Electrical
  - 1.1. Rated Voltage: 40V AC/DC maximum
  - 1.2. Rated Current: 0.3A max.
  - 1.3. Dielectric strength: 150V AC/1 minute
  - 1.4. Insulation Resistance: 150V DC 10MΩ min.
  - 1.5. Contact Resistance: 30M Max.
2. Mechanical
  - 2.1. Insertion Force Max: 4.5kgf max.
  - 2.2. Removal Force Min: 0.5kgf min. , 2.5kgf max.
  - 2.3. Durability: 5,000 cycles at 100±50 cycles per hour
3. Plating
  - 3.1. Terminal: Contact area: gold plated over 50u" NI min.  
Solder area: 100u" mist TIN plated over 50u" NI min.
  - 3.2. Shell: Lg/F plated over 50u" NI min.
4. Ambient Temperature: -25° C To +85° C



03	Terminal	C5191	19	Gold plated within connect area T=0.12MM	電鍍半金錫: 1u, 3u, 5u, 15u, 30u
02	Housing	LCP	2	UL94-V0, Color is black LCP	注膠成型
01	Shell	SUS	1	Plating nickle or gold overall T=0.25MM	電鍍: 鍍NI, 金AU
序號	品名	材料	用量	備註說明	表面處理

RoHS Compliant

TOLERANCES ARE

**MORETHANALL**  
PCB CONNECTORS  
Cable ASSEMBLIES

DRAWING BY CY

CHECKED BY GENIUS

UNIT / mm

SCALE 1 : 1

DATE

SIZE A4

X, ±  
.X ± 0.30  
.XX ± 0.20  
.XXX ± 0.10  
ANG ±

P PROJECTION

照片框

ORDER INFORMATION

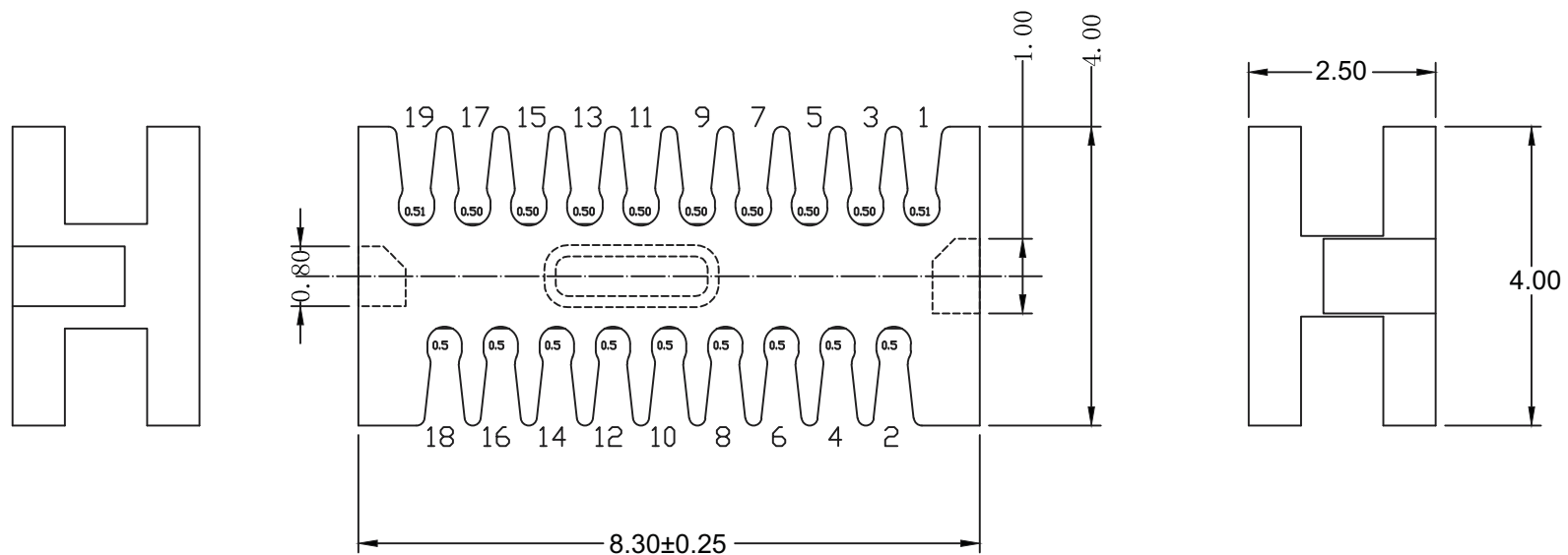
MIHDMI-PS-19-LF

SERIES | | LEADFREE  
19 WAY  
SOLDER  
MALE

煜倫股份有限公司

www.morethanall.com

DESCRIPTION: HDMI D公 19 P B款自動鐳線式加錫



01	Housing	PA6	1	UL94-V0, Color is black PA6	注塑成型
序號	品名	材料	用量	備註說明	表面處理

RoHS Compliant

TOLERANCES ARE

**MORETHANALL**  
PCB CONNECTORS  
Cable ASSEMBLIES

DRAWING BY CY

CHECKED BY GENIUS

UNIT / mm SCALE 1 : 1

DATE

SIZE A4 PROJECTION

X, ±  
.X ± 0.30  
.XX ± 0.20  
.XXX ± 0.10  
ANG ±

照片框

ORDER INFORMATION

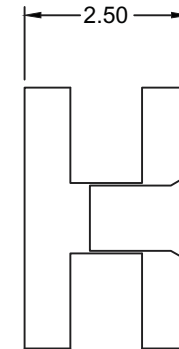
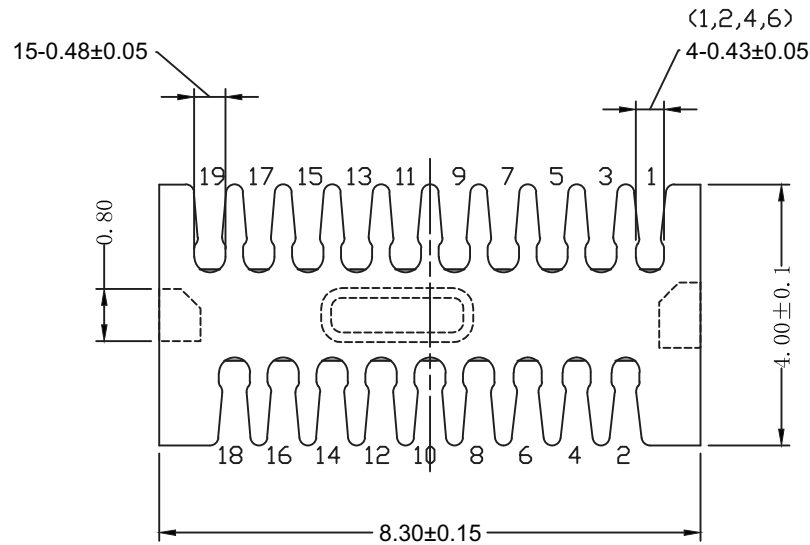
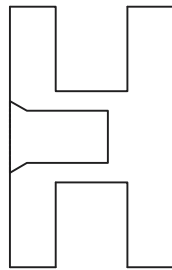
MIHDMI-PS-19-LF

SERIES | | LEADFREE  
| | 19 WAY  
| | SOLDER  
| | MALE

煜倫股份有限公司

www.morethanall.com

DESCRIPTION: HDMI D 19P A款32# 線夾



01	Housing	PA6	1	UL94-V0, Color is black PA6	注塑成型
序號	品名	材料	用量	備註說明	表面處理

RoHS Compliant

TOLERANCES ARE

**MORETHANALL**  
PCB CONNECTORS  
Cable ASSEMBLIES

DRAWING BY CY

CHECKED BY GENIUS

UNIT / mm

SCALE 1 : 1

DATE

SIZE A4

X ±  
.X ± 0.30  
.XX ± 0.20  
.XXX ± 0.10  
ANG ±

PJECTION

照片框

ORDER INFORMATION

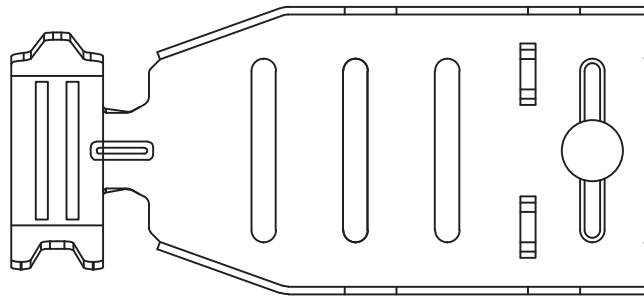
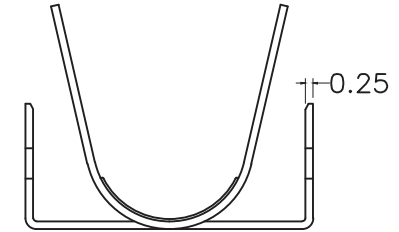
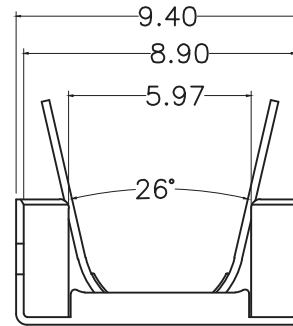
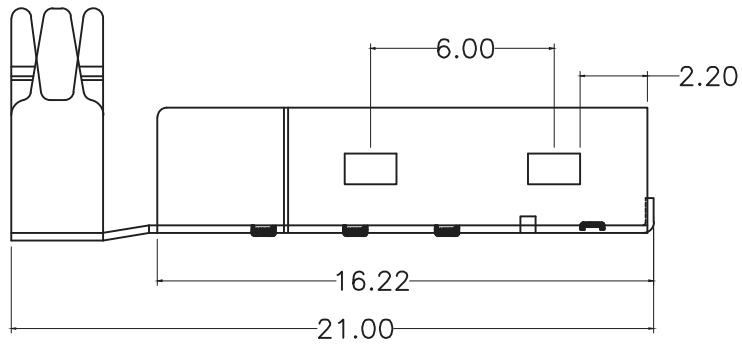
MIHDMI-PS-19-LF

SERIES LEADFREE  
19 WAY  
SOLDER  
MALE

煜倫股份有限公司

www.morethanall.com

DESCRIPTION: HDMI D 19 P A款34# 線夾



备注:

1. 材质:SPCC T=0.25MM
2. 外观不可有压伤, 严空腔团豪, 球弯处裂纹等不良。
3. 未标注R角为R0.15 max., 毛边0.05 max.
4. 产品冲制为散PIN。

序號	品名	材料	用量	備註說明	表面處理
01	Shell	spcc	1	Plating nickle or gold overall T=0.30MM	電鍍:鎳NI,金AU

RoHS Compliant

TOLERANCES ARE

**MORETHANALL**  
PCB CONNECTORS  
Cable ASSEMBLIES

DRAWING BY CY

CHECKED BY GENIUS

UNIT / mm

SCALE 1:1

DATE

SIZE A4

X, ±  
.X ± 0.30  
.XX ± 0.20  
.XXX ± 0.10  
ANG ±

PPOJECTION

照片框

ORDER INFORMATION

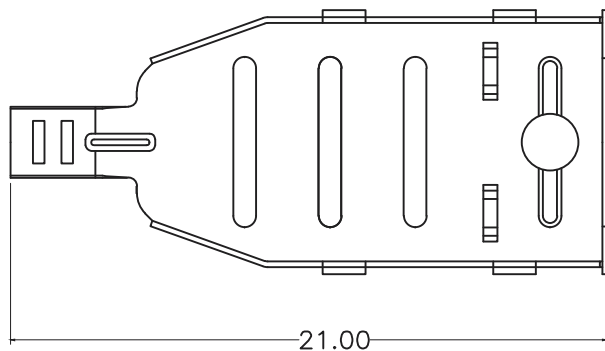
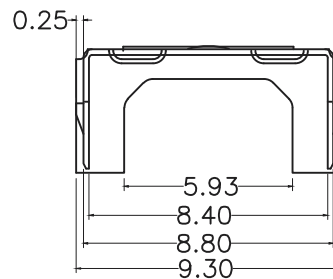
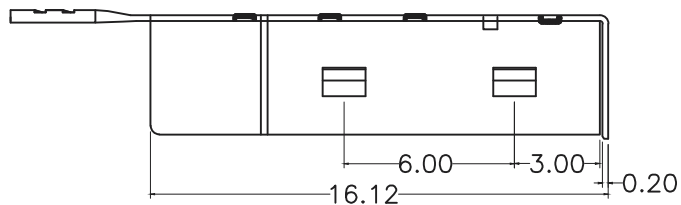
MIHDMI-PS-19-LF

SERIES | | LEADFREE  
19 WAY  
SOLDER  
MALE

煜倫股份有限公司

www.morethanall.com

DESCRIPTION: HDMI D 19 P A款馬口鐵下殼



备注:

1. 材质:SPCC T=0.20MM
2. 外观不可有压伤, 严零腔团豪, 球弯处裂纹等不良。
3. 未标注R角为R0.15 max., 毛边0.05 max.
4. 产品冲制为散PIN.

01	Shell	spcc	1	Plating nickle or gold overall T=0.30MM	電鍍:鎳NI,金AU
序號	品名	材料	用量	備註說明	表面處理

RoHS Compliant

TOLERANCES ARE

**MORETHANALL**  
PCB CONNECTORS  
Cable ASSEMBLIES

煜倫股份有限公司

www.morethanall.com

DRAWING BY CY

CHECKED BY GENIUS

UNIT / mm

SCALE 1:1

DATE

SIZE A4

X, ±  
.X ± 0.30  
.XX ± 0.20  
.XXX ± 0.10  
ANG ±

PJECTION

照片框

ORDER INFORMATION

MIHDMI-PS-19-LF

SERIES | | LEADFREE  
19 WAY  
SOLDER  
MALE

DESCRIPTION: HDMI DM公 19 P A款馬口鐵上蓋