

Pin NO.	19	18	17	16	15	14	13	12	11	10
Pin Assignment	5V Power	SDA	SCL	DDC/CEC Ground	CEC	TMDS Clock-	TMDS Clock Shield	TMDS Clock+	TMDS Data0-	TMDS Data0 Shield
Pin NO.	9	8	7	6	5	4	3	2	1	
Pin Assignment	TMDS Data0+	TMDS Data1-	MDS Data1 Shield	TMDS Data1+	TMDS Data2-	TMDS Data2 Shield	TMDS Data2+	Utility	Hot Plug Detect	

NOTES :

1.Material :

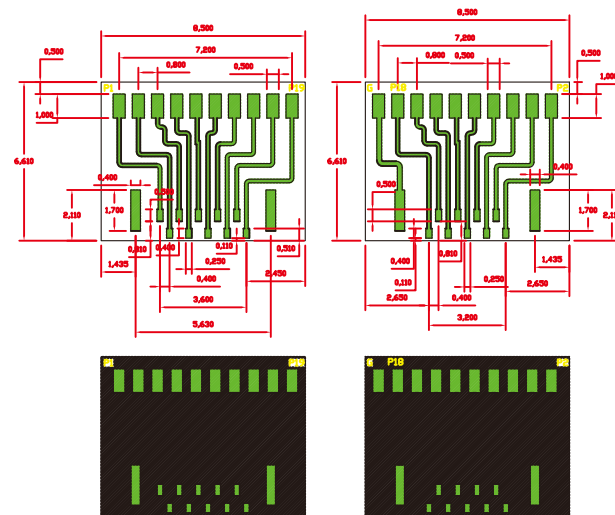
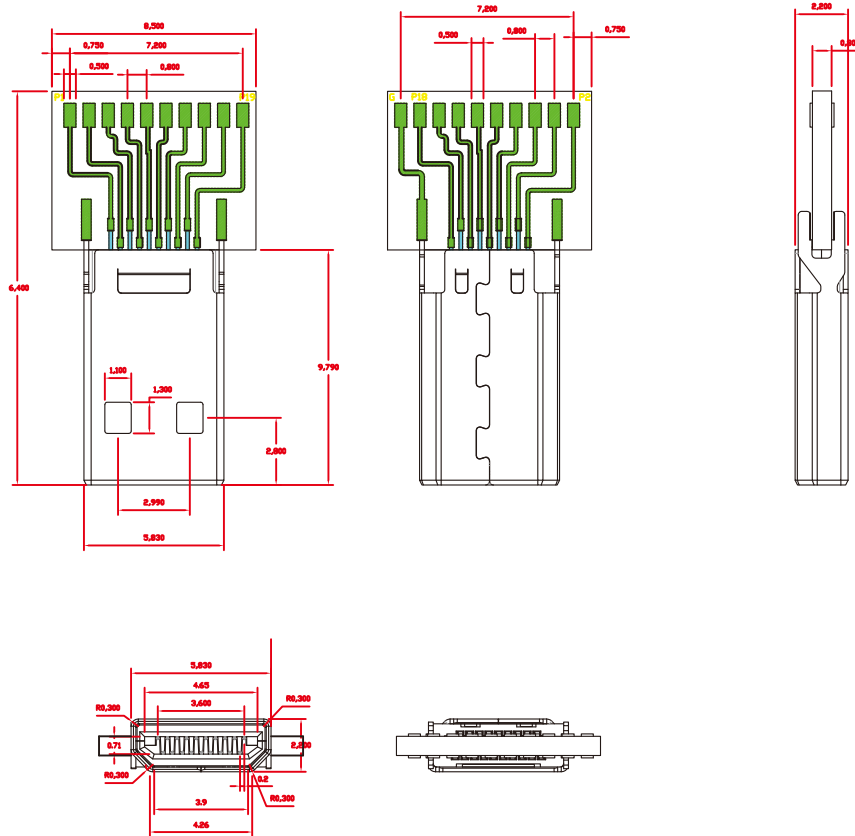
Housing : High temperature thermoplastic,UL94-V0.

Color : Black

HDMI Terminal : Copper Alloy.

Cover : Copper Alloy.

2.Finish : Cover :G/F



PCB 正面

PCB 背面

MORETHANALL
PCB CONNECTORS
Cable ASSEMBLIES

煜倫股份有限公司

www.morethanall.com

RoHS Compliant

DRAWING BY CY

CHECKED BY GENIUS

UNIT/ mm SCALE 1:1

DATE

SIZE A4

TOLERANCES ARE

X. ± 0.40

.X ± 0.30

.XX ± 0.20

.XXX ± 0.10

ANG ±

PJECTION

照片框

ORDER INFORMATION

MIHDMI-PE08BS-19-LF

SERIES | | | LEADFREE

| | | 19WAY

| | | PCB SOLDER

| | | EDGE CLIP 0.8mm

MALE

DESCRIPTION: HDMI TYPE D PLUG CONNECTOR