

Features:

- 4 ~ 24 circuits available
- Plastic Material: LCP
- Pin material: Phosphor bronze

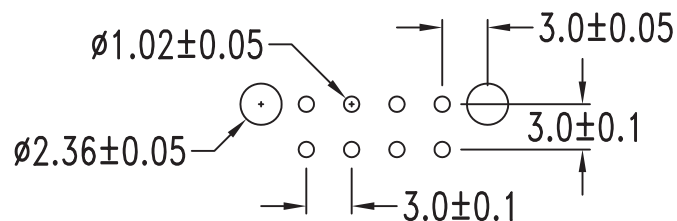
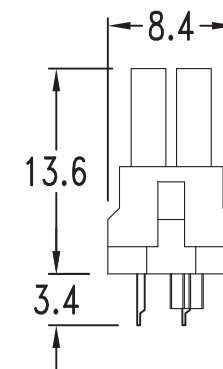
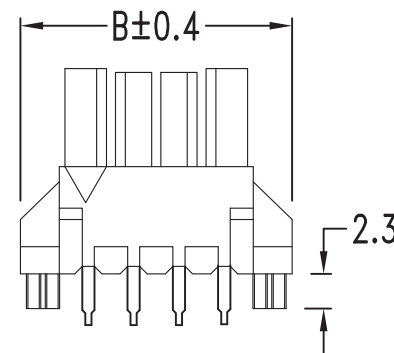
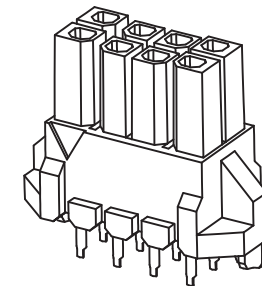
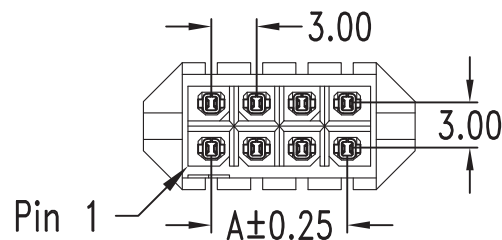
Specification:

- Voltage rating: 250V AC(RMS) or DC
- Current rating: 5A AC, DC
- Contact resistance: 10mΩ Max.
- Dielectric withstanding voltage: 1500V AC/minute
- Ambient temperature range: -40°C ~ 105°C

Dimensional Information (mm)

Circuits	N
Dim. A	$3 \times (N / 2 - 1)$
Dim. B	$3 \times (N / 2) + 6$

&& N = 4 ~ 24



PCB Layout: Component side

Recommended PCB thickness: .062"(1.57mm)

RoHS Compliant

TOLERANCES ARE

MORETHANALL
PCB CONNECTORS
Cable ASSEMBLIES
煜倫股份有限公司

DRAWING BY CY

CHECKED BY GENIUS

UNIT / mm

SCALE 1 : 1

DATE

SIZE A4

PJECTION

X. ±
.X ± 0.25
.XX ± 0.15
.XXX ± 0.05
ANG ±



ORDER INFORMATION

MIFB-SDP-2Xxx-LF
SERIES | LEADFREE
2X02:04 WAY
2X12:24 WAY
POST
DIP 180°
FEMALE

DESCRIPTION: .118"(3.0mm) Vertical Header

www.morethanall.com