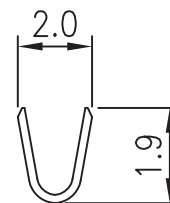
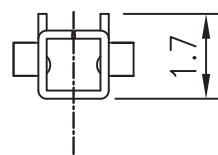
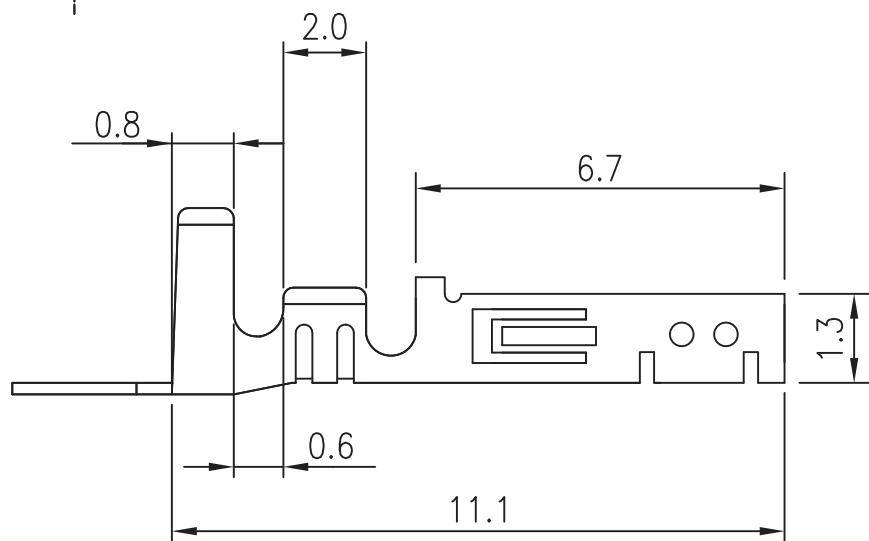
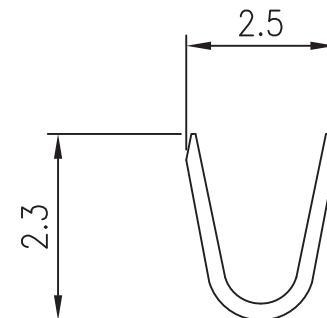


- * Material: Phosphor bronze
- * Finished: Tin-plated
- * Wire Range: AWG#20~#26
- * Thickness: 0.20mm
- * Q'TY: 10,000pcs/reel



B-B SECTION



A-A SECTION

RoHS Compliant

TOLERANCES ARE

MORETHANALL
PCB CONNECTORS
Cable ASSEMBLIES

DRAWING BY CY

CHECKED BY GENIUS

UNIT/mm

SCALE 1:1

DATE

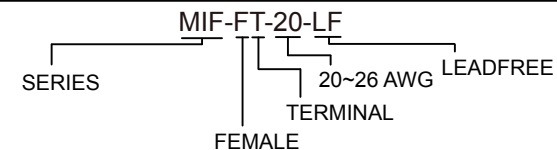
SIZE A4

PROJECTION

X. ±
.X ±
.XX ±
.XXX ±
ANG ±



ORDER INFORMATION



煜倫股份有限公司

www.morethanall.com

DESCRIPTION: 3.0mm MICKO FIT FEMALE TERMINAL