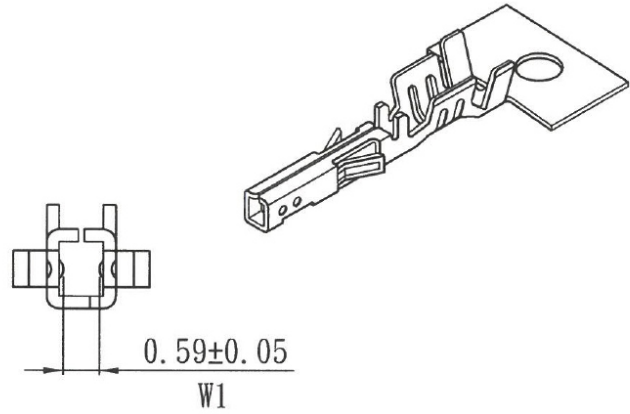


標"★,*"字體為重點管控和特殊特性尺寸
(Remark "★,*" should be control the the ponit and special feature size)

表面處理 Surface treatment	處理方式 Processing method
鍍底 20μ "以上，鍍亮錫 60μ "以上 Nicked more than 20μ ", covered by pre-tin plating more than 60μ "	先衝後鍍 Stamping before electroplating

材質(Material): 磷青銅[Phosphor bronze] 合金銅[copper Alloy]

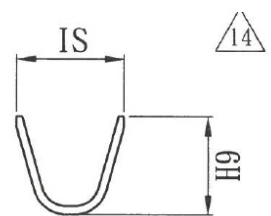


此規格只管控前凸點
(This specification only controls the front bumps)

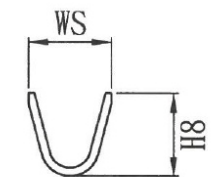
參考列表(Refer to description)

2. 線皮外徑(Insulation O.D):
 $\phi 2.1\sim 1.3\text{ mm}$

適用電線
(Applicable wire)
UL1007 AWG #18(L產品)



A-A Section



B-B Section

品名 Part No.	IS	H9	WS	H8	L	①	包裝數量 (Standard packing)
MIF-FT-18	3.0	3.6	2.3	2.3	11.1	1.1	6000PCS/R

RoHS Compliant

TOLERANCES ARE

MORETHANALL
PCB CONNECTORS
Cable ASSEMBLIES
煜倫股份有限公司
www.morethanall.com

DRAWING BY CY
CHECKED BY GENIUS
UNIT / mm SCALE 1 : 1
DATE
SIZE A4 PPROJECTION

X, ±
.X ±
.XX ±
.XXX ±
ANG ±



ORDER INFORMATION

MIF-FT-18-LF
SERIES | LEADFREE
18 AWG
TERMINAL
FEMALE

DESCRIPTION: