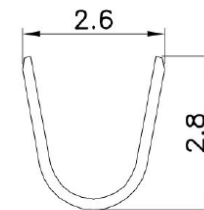
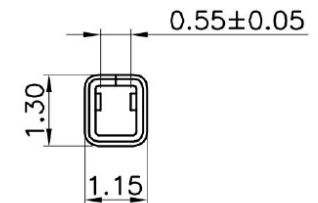


Section A-A



Section B-B



Section C-C

NOTES:

1. MATERIAL: PHOSPHOR BRONZE, $t=0.20\text{mm}$
2. APPLICABLE WIRE RANGE: AWG#16~#18
3. INSULATION O.D.: $\phi 2.2\text{mm}(\text{Max.})$

RoHS Compliant

TOLERANCES ARE

MORETHANALL
PCB CONNECTORS
Cable ASSEMBLIES

煜倫股份有限公司

www.morethanall.com

DRAWING BY CY

CHECKED BY GENIUS

UNIT / mm

SCALE 1:1

DATE

SIZE A4

X, \pm
.X ± 0.30
.XX ± 0.20
.XXX \pm
ANG $\pm 5^\circ$

PJECTION

照片框

ORDER INFORMATION

MIF-FT-16-LF
SERIES | LEADFREE
16~18 AWG
TERMINAL
FEMALE

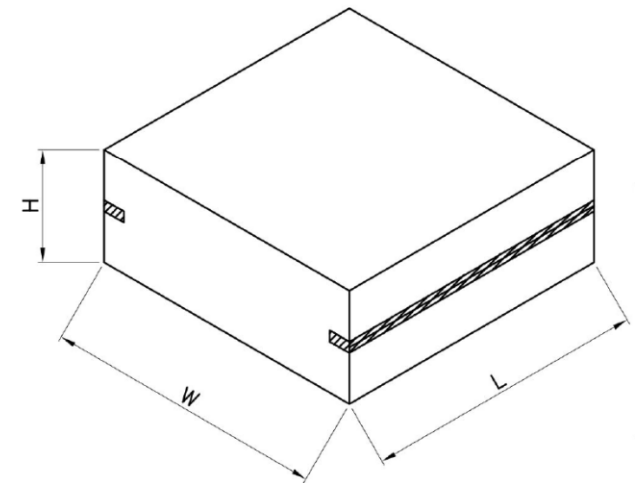
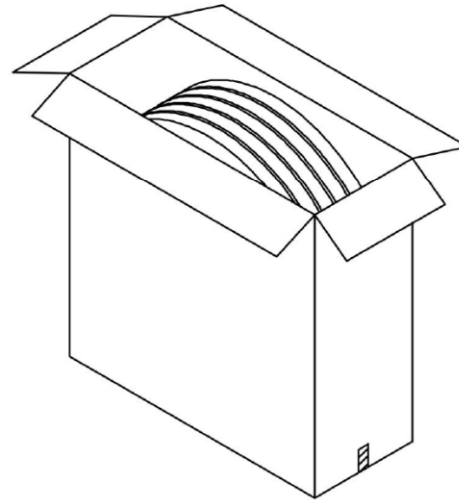
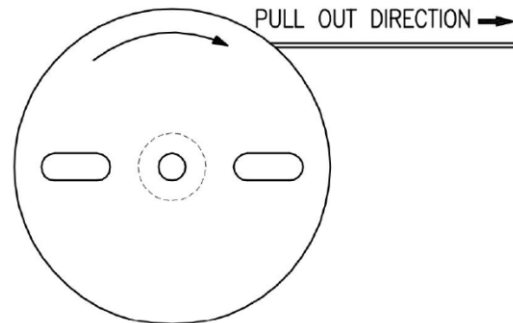
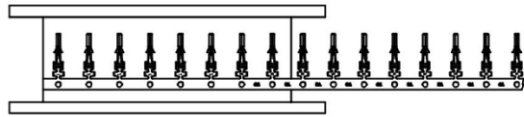
DESCRIPTION:

PACKING MATERIAL

PART NAME	DIM(mm)
CARTON	580*580*210

PACKING CAPACITY

PART NO.	PCS/RE	RE/BC	PCS/BC
MIF-FT-16	7,000	7	49,000



RoHS Compliant

TOLERANCES ARE

MORETHANALL
PCB CONNECTORS
Cable ASSEMBLIES

煜倫股份有限公司

www.morethanall.com

DRAWING BY CY

CHECKED BY GENIUS

UNIT / mm

SCALE 1:1

DATE

SIZE A4

X, ±
.X ± 0.30
.XX ± 0.20
.XXX ±
ANG ± 5°

P PROJECTION

照片框

ORDER INFORMATION

MIF-FT-16-LF
SERIES | LEADFREE
| 16~18 AWG
| TERMINAL
| FEMALE

DESCRIPTION: