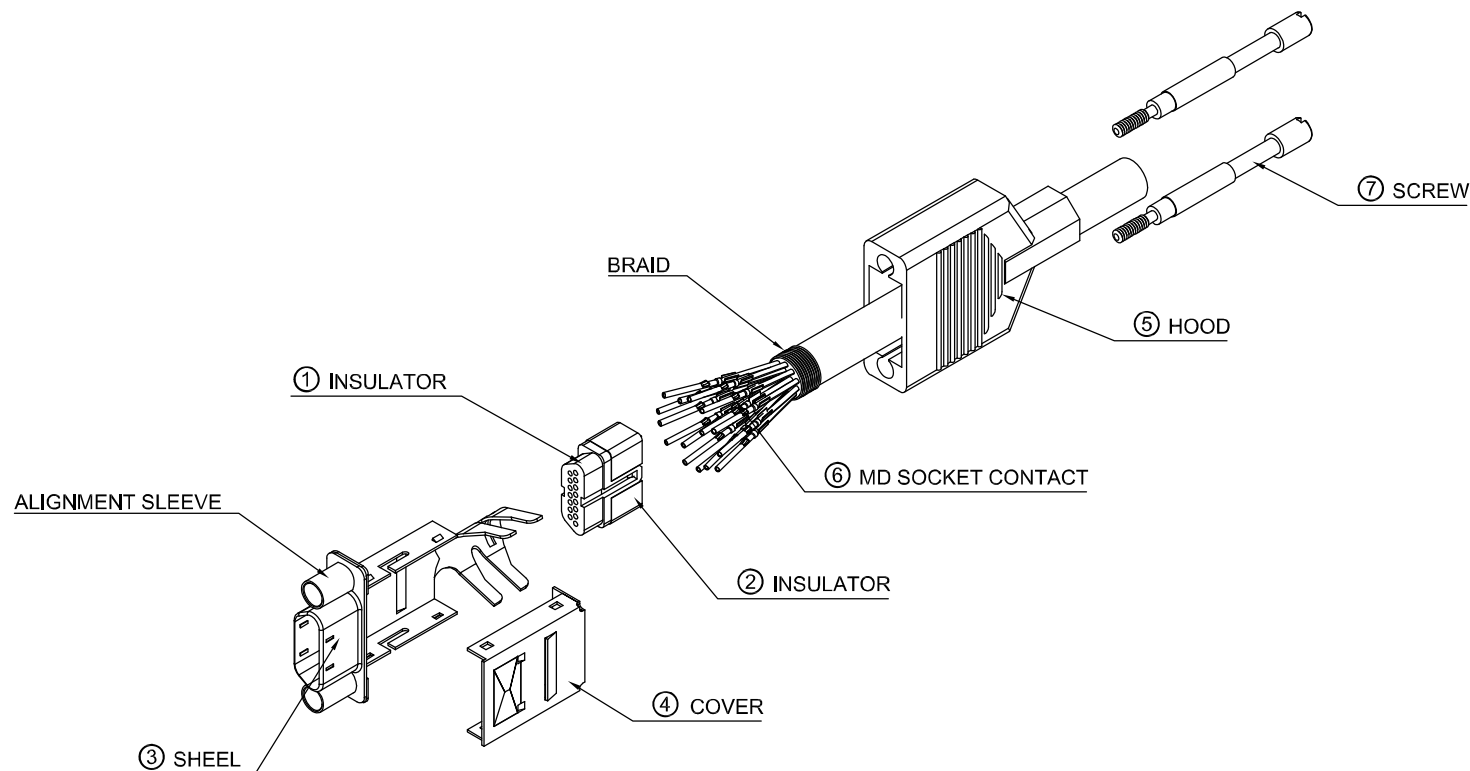


ITEM	DESCRIPTION	MATERIAL	FINISH	Q'TY
①	MICRO-D FEMALE 15P UPPER INSULATOR ALL BEST	THERMOPLASTIC	-----	1
②	MICRO-D FEMALE 15P UPPER INSULATOR ALL BEST	THERMOPLASTIC	-----	1
③	MICRO-D FEMALE 15P LOWER SHIELD ALL BEST	NICKEL COPPER	-----	1
④	MICRO-D FEMALE 15P UPPER SHIELD ALL BEST	NICKEL COPPER	-----	1
⑤	MICRO-D 15P FEMALE BACKSHELL ALL BEST	THERMOPLASTIC	-----	1
⑥	MICRO-D FEMALE CONTACT ALL BEST CONTACTS ARE NOT INCLUDED IN THE SET; NEED TO ORDER SEPARATELY	PHOSPHOR BRONZE	GOLD	15
⑦	JACKSCREWS ALL BEST	STEEL	NICKEL	2



RoHS Compliant

TOLERANCES ARE

MORETHANALL
PCB CONNECTORS
Cable ASSEMBLIES

DRAWING BY CY

X. ± 0.25

CHECKED BY GENIUS

.X ± 0.20

UNIT / mm

SCALE 1 : 1

.XX ± 0.15

DATE

.XXX ±

ANG ±

照片框

ORDER INFORMATION

MID-SCHT-15-LF
SERIES | | | | LEADFREE
15 WAY
THUMBSCREW
HOOD
CRIMP
FEMALE

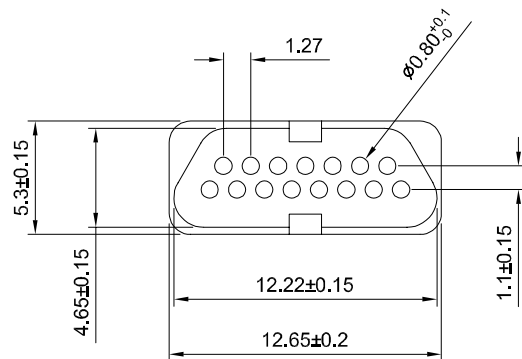
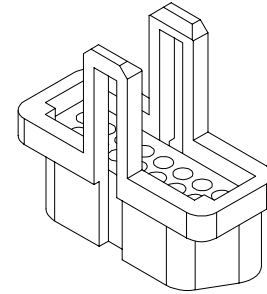
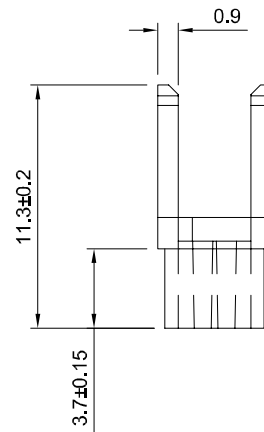
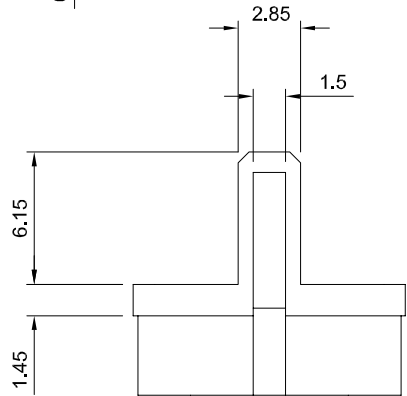
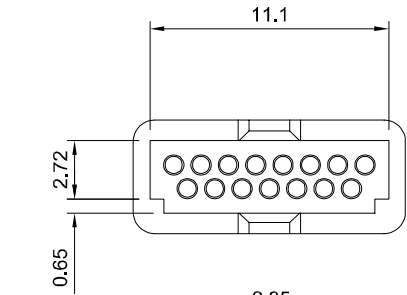
煜倫股份有限公司

www.morethanall.com

SIZE A4

PPOJECTION

DESCRIPTION: Micro Miniature Connectors-Crimp Type



MATERIALS
INSULATOR: THERMOPLASTIC

RoHS Compliant

TOLERANCES ARE

MORETHANALL
PCB CONNECTORS
Cable ASSEMBLIES

DRAWING BY CY

X. ±

CHECKED BY GENIUS

.X ±

UNIT / mm

SCALE 1 : 1

.XX ±

DATE

.XXX ±

ANG ±

照片框

ORDER INFORMATION

MID-SCHT-15-LF
SERIES | | | | | LEADFREE
15 WAY
THUMBSCREW
HOOD
CRIMP
FEMALE

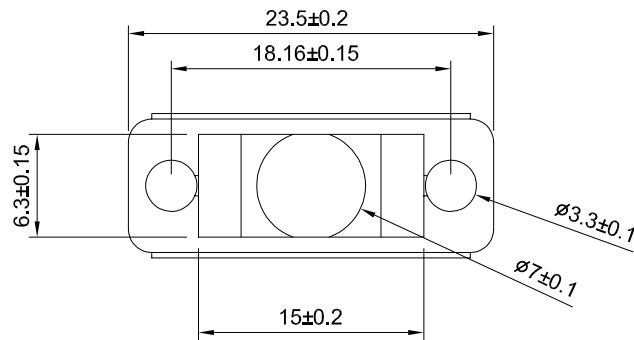
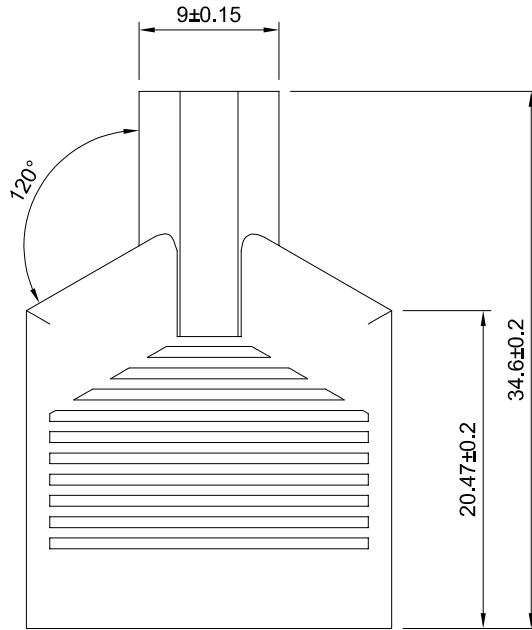
煜倫股份有限公司

www.morethanall.com

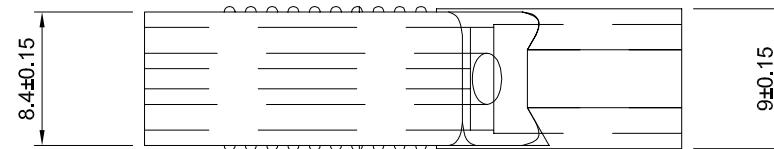
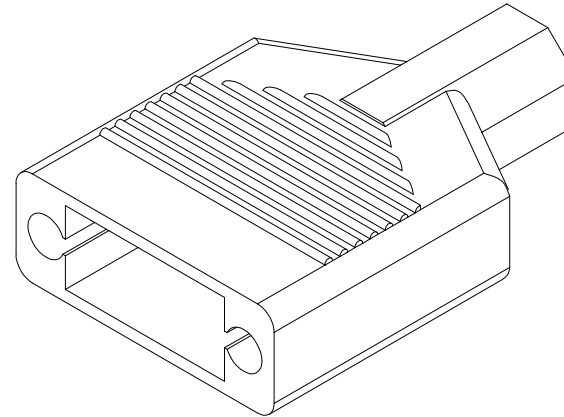
SIZE A4

PJECTION

DESCRIPTION: Micro-D Female 15P Upper Insulator



MATERIALS
BACKSHELL: THEROPLASTIC



RoHS Compliant

TOLERANCES ARE

MORETHANALL
PCB CONNECTORS
Cable ASSEMBLIES

DRAWING BY CY

X. ±

CHECKED BY GENIUS

.X ±

UNIT / mm

SCALE 1 : 1

.XX ±

DATE

.XXX ±

ANG ±

煜倫股份有限公司

www.morethanall.com

SIZE A4

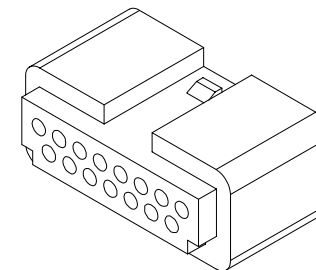
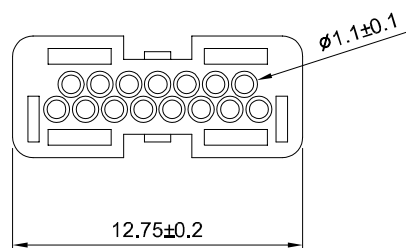
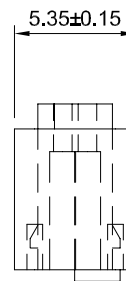
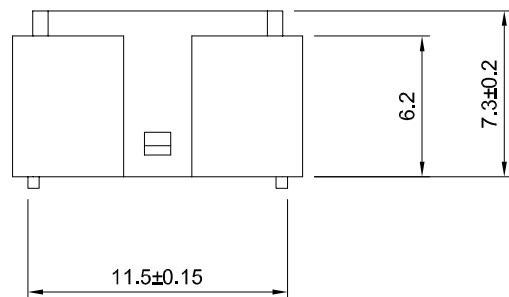
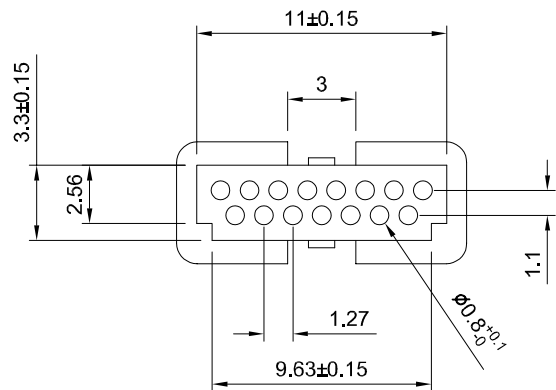
PPOJECTION

照片框

ORDER INFORMATION

MID-SCHT-15-LF
SERIES | | | | LEADFREE
15 WAY
THUMBSCREW
HOOD
CRIMP
FEMALE

DESCRIPTION: Micro-D 15P Female Backshell



MATERIALS
INSULATOR: THERMOPLASTIC

RoHS Compliant

TOLERANCES ARE

MORETHANALL
PCB CONNECTORS
Cable ASSEMBLIES

DRAWING BY CY

X. ±

CHECKED BY GENIUS

.X ±

UNIT / mm

SCALE 1 : 1

.XX ±

DATE

.XXX ±

ANG ±

SIZE A4

PJECTION

照片框

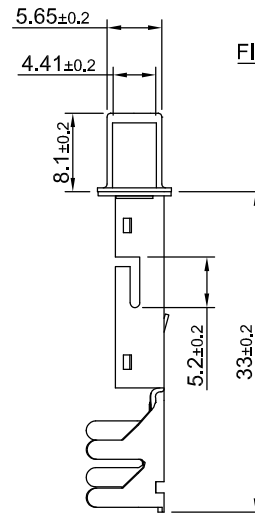
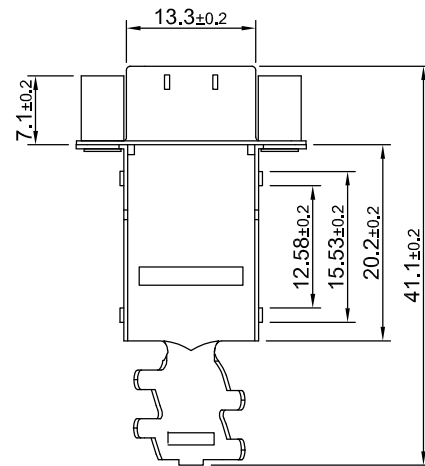
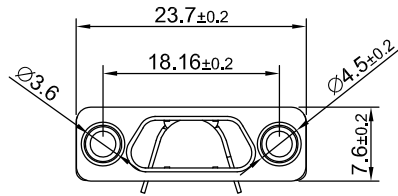
ORDER INFORMATION

MID-SCHT-15-LF
SERIES | | | | LEADFREE
| | | | 15 WAY
| | | | THUMBSCREW
| | | | HOOD
| | | | CRIMP
| | | | FEMALE

煜倫股份有限公司

www.morethanall.com

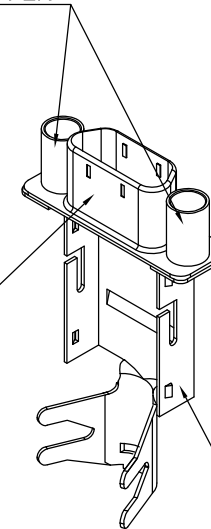
DESCRIPTION: Micro-D Female 15P Lower Insulator



MATERIAL: COPPER
FINISH: TIN OVER COPPER

MATERIAL: STEEL
FINISH: TIN OVER STEEL

MATERIAL: NICKEL COPPER



RoHS Compliant

TOLERANCES ARE

MORETHANALL
PCB CONNECTORS
Cable ASSEMBLIES

DRAWING BY CY

X. ±

CHECKED BY GENIUS

.X ±

UNIT / mm

SCALE 1 : 1

.XX ±

DATE

.XXX ±

ANG ±

照片框

MID-SCHT-15-LF

SERIES

LEADFREE

15 WAY

THUMBSCREW

HOOD

CRIMP

FEMALE

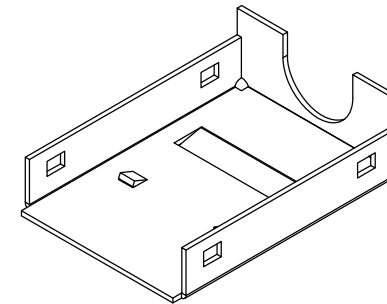
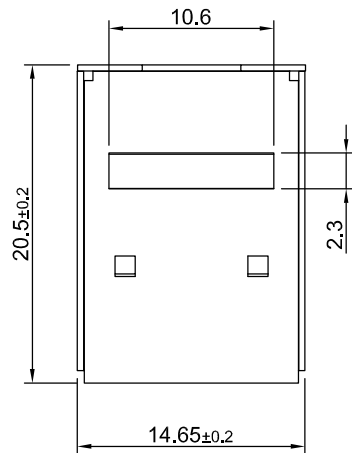
煜倫股份有限公司

www.morethanall.com

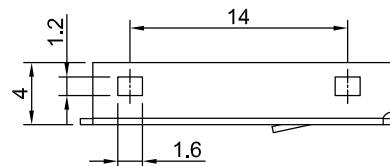
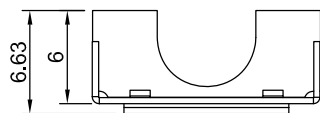
SIZE A4

PJECTION

DESCRIPTION: Micro-D Female 15P Lower Shield



MATERIAL
CAGE: NICKEL COPPER



RoHS Compliant

TOLERANCES ARE

MORETHANALL
PCB CONNECTORS
Cable ASSEMBLIES

DRAWING BY CY

X. ±

CHECKED BY GENIUS

.X ±

UNIT / mm

SCALE 1 : 1

.XX ±

DATE

.XXX ±

ANG ±

照片框

ORDER INFORMATION

MID-SCHT-15-LF
SERIES | LEADFREE
| 15 WAY
| THUMBSCREW
| HOOD
| CRIMP
| FEMALE

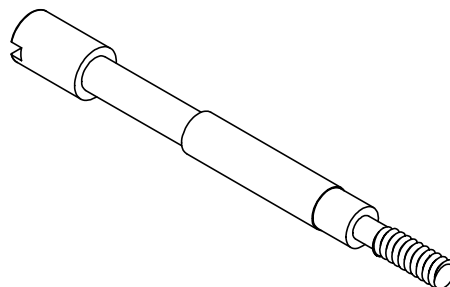
煜倫股份有限公司

www.morethanall.com

SIZE A4

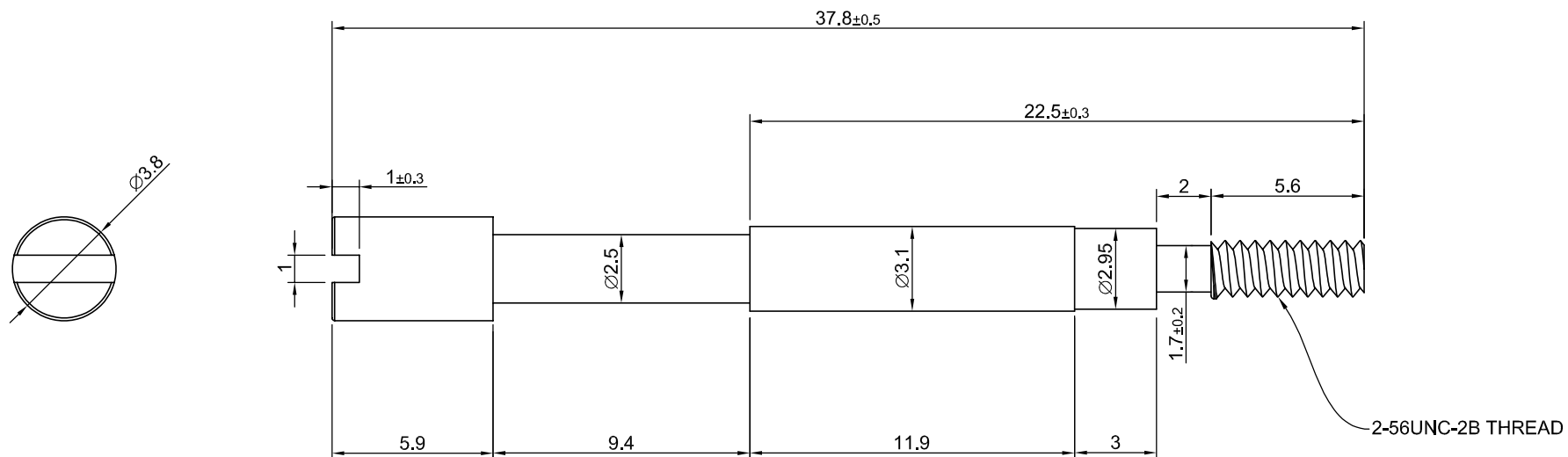
PPOJECTION

DESCRIPTION: Micro-D Female 15P Upper Shield



MATERIALS
SCREWS:STEEL

FINISHES
SCREWS:NICKEL OVER STEEL



RoHS Compliant

TOLERANCES ARE

MORETHANALL
PCB CONNECTORS
Cable ASSEMBLIES

DRAWING BY CY

X. \pm

CHECKED BY GENIUS

.X \pm

UNIT / mm

SCALE 1 : 1

.XX \pm

DATE

.XXX \pm

ANG \pm

照片框

ORDER INFORMATION

MID-SCHT-15-LF
SERIES | | | | | LEADFREE
15 WAY
THUMBSCREW
HOOD
CRIMP
FEMALE

煜倫股份有限公司

www.morethanall.com

SIZE A4

PPOJECTION

DESCRIPTION: Screw For Micro-D Female