

1 2 3 4 5 6 7 8 9 0

J

I

H

G

F

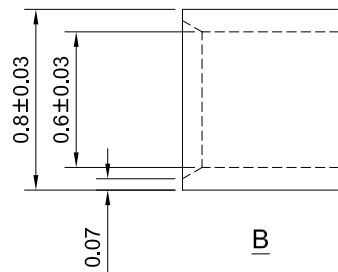
E

D

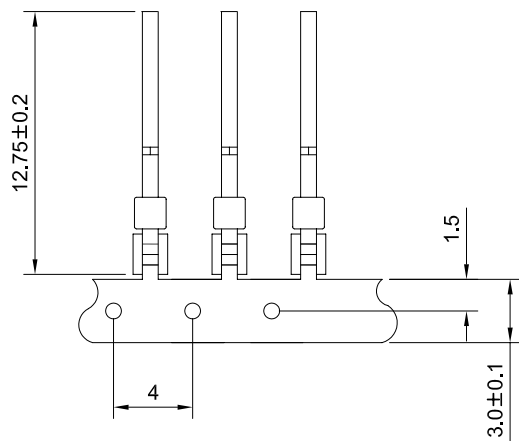
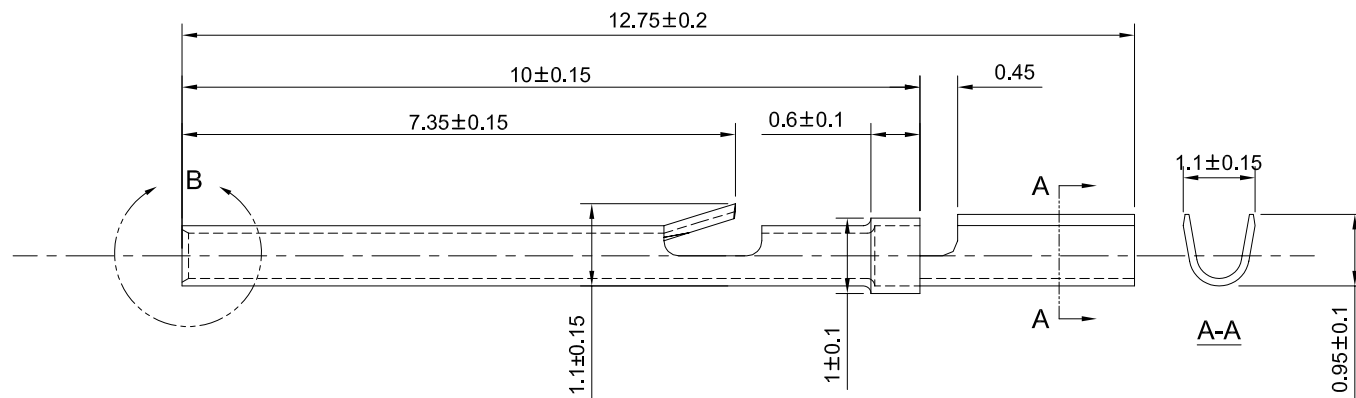
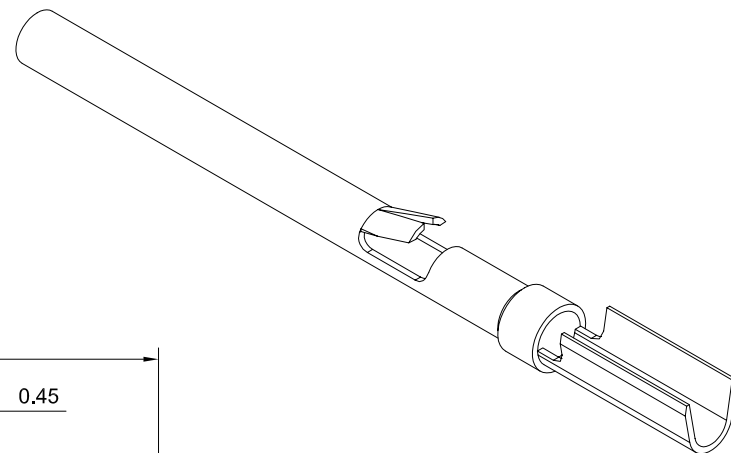
C

B

A



B



MATERIAL: COPPER ALLOY
 PLATING: 15 μ" MIN. GOLD ON MATING END;
 ALL UNDERPLATED NICKEL

MID-F-26-LF
 LEADFREE

RoHS Compliant



PART NO. MID-F-26

DWG NO. MID-F-26

FILE NO.

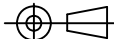
UNIT / mm

SCALE 1:1

CHECKED BY CY

DRAWING BY

PROJECTION



TOLERANCES ARE

.X ± 0.2
 .XX ± 0.1
 .XXX ±
 AWG

DESCRIPTION: Micro-D Female Contact

AREA

REVISIONS

HK

DATE

煜倫股份有限公司