

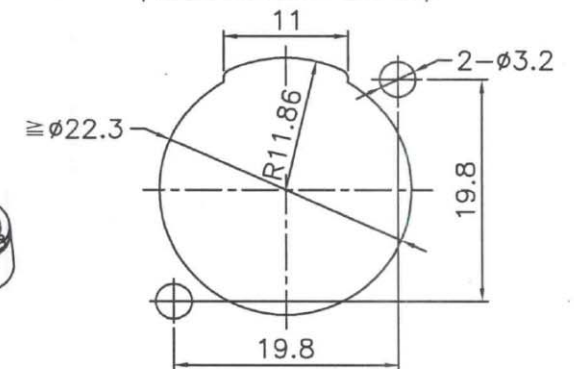
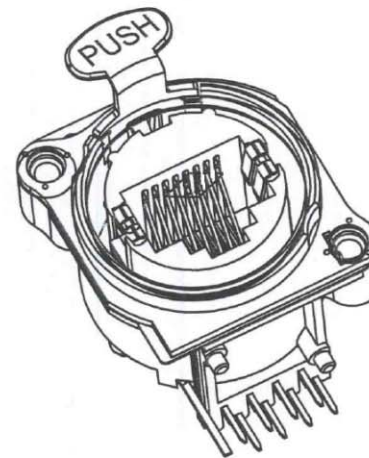
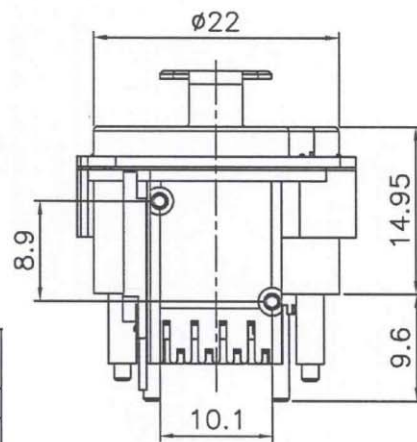
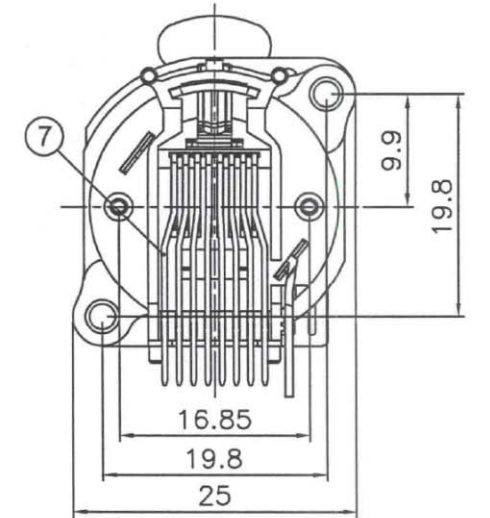
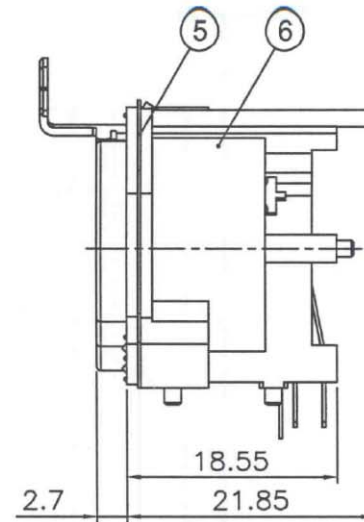
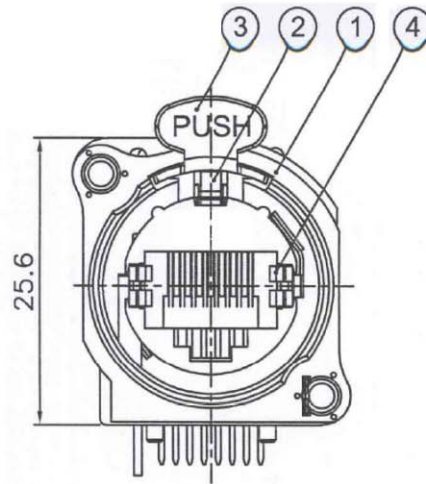
P.C.B. LAYOUT  
(印刷电路板配置)

8P Pin Finish:

Front: Golden plated(前端鍍金)

Rear: Tin-plated(後端鍍錫)

7	插針(8P PIN)	Phosohor Bronze		1
6	塑座(PLASTIC BASE)	PBT	黑色(Black)	1
5	金屬片(METAL SHEET)	H62	鍍亮錫(Bright Tin)	1
4	接地片(GROUND)	Phosohor Bronze	鍍亮錫(Bright Tin)	2
3	按鍵(PUSH BUTTON)	SUS304	鍍鎳(Nickel)	1
2	鋼片(LATCH)	65Mn	發黑(Blackening)	1
1	鋅殼 (DIE-CAST SHELL)	ZZnAL4-0	鍍鎳(Nickel)	1
NO.	DESCRIPTION	MATERIAL	FINISH	Q'TY



Recommended mounting hole  
★Different with Neutrik  
(建議架設孔)  
(與Neutrik不同)

Note(備註):

1. Package: 25pcs per clamshell packing  
(包裝方式: 25pcs為一泡殼包裝)

RoHS Compliant

TOLERANCES ARE

**MORETHANALL**  
PCB CONNECTORS  
Cable ASSEMBLIES

DRAWING BY CY

CHECKED BY GENIUS

UNIT / mm SCALE 1 : 1

DATE

SIZE A4

X, ±  
.X ±  
.XX ±  
.XXX ±  
ANG ±

PPOJECTION

照片框

ORDER INFORMATION

MICRJCE-SRL-0808-LF

SERIES

LOCK

DIP 90°

FEMALE

8P8C

LEADFREE

FEMALE

煜倫股份有限公司

www.morethanall.com

DESCRIPTION: