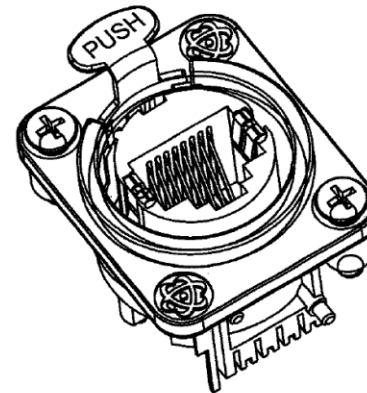
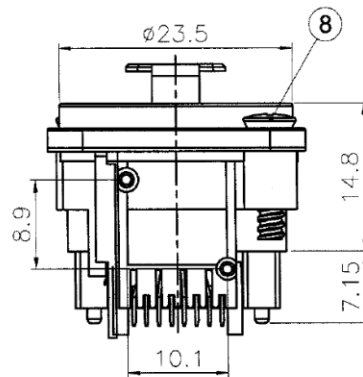
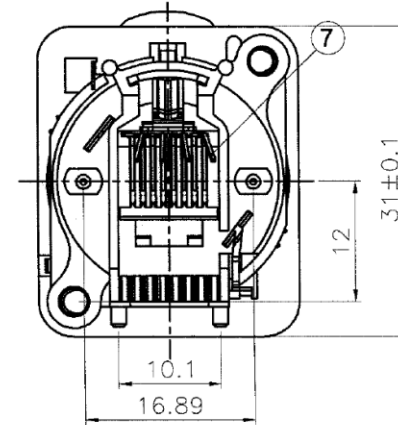
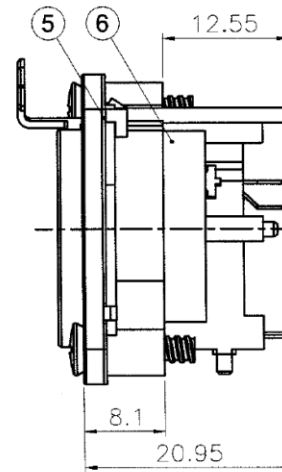
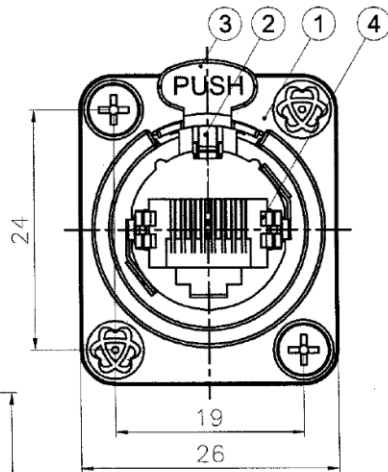


P.C.B. LAYOUT  
(印刷电路板配置)

8P Pin Finish:  
Front: Golden plated(前端鍍金)  
Rear: Tin-plated(後端鍍錫)

8	螺絲(SCREW)	SUS304	鍍鎳(Nickel)	2
7	插針(8P PIN)	Phosohor Bronze		1
6	塑座(PLASTIC BASE)	PBT	黑色(Black)	1
5	金屬片(METAL SHEET)	H62	鍍亮錫(Bright Tin)	1
4	接地片(GROUND)	Phosohor Bronze	鍍亮錫(Bright Tin)	2
3	按鈕(PUSH BUTTON)	SUS304	鍍鎳(Nickel)	1
2	鋼片(LATCH)	65Mn	發黑(Blackening)	1
1	鑄殼 (DIE-CAST SHELL)	ZZnAL4-0	鍍鎳(Nickel)	1
NO.	DESCRIPTION	MATERIAL	FINISH	Q'TY



Note(備註):

1. Package: 25psc per clamshell packing  
(包裝方式: 25psc為一泡殼包裝)

RoHS Compliant

TOLERANCES ARE

**MORETHANALL**  
PCB CONNECTORS  
Cable ASSEMBLIES

煜倫股份有限公司

www.morethanall.com

DRAWING BY CY

CHECKED BY GENIUS

UNIT / mm SCALE 1 : 1

DATE

SIZE A4

PPOJECTION

X, ±  
.X ±  
.XX ±  
.XXX ±  
ANG ±

照片框

ORDER INFORMATION

MICRJ5E-SDL-0808-LF

SERIES | | | LEADFREE  
| | | 8P8C  
| | | LOCK  
| | | DIP 180°  
| | | FEMALE

DESCRIPTION: