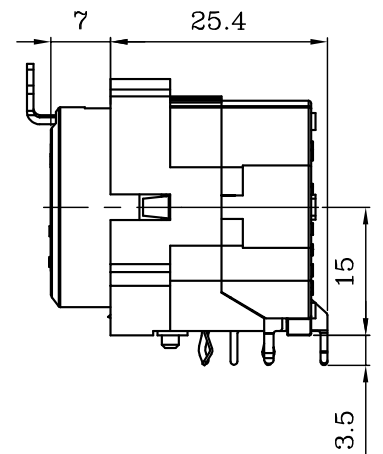
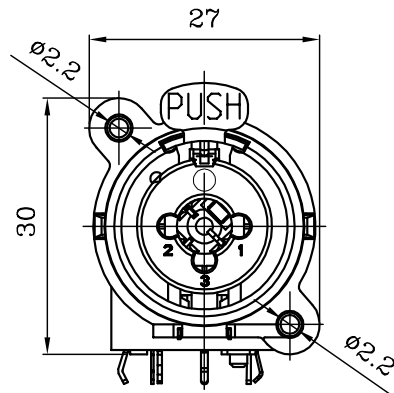
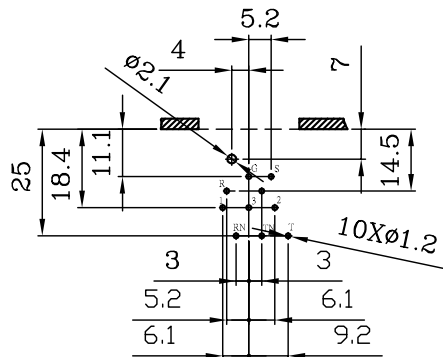


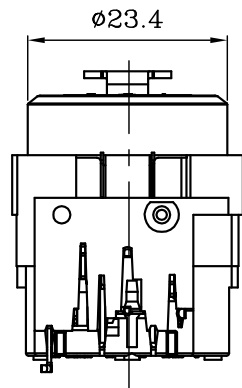
Panel cut out (front side)



NORMALLING-SCHEMES



PCB-LAYOUT (component side)  
(SCALE 1:2)



Part No.	6.4 Phone Jack	XLR
MICHJ-SRL-03G02		
MICHJ-SRL-03G03		
MICHJ-SRL-03G06C		

9	GROUND/P. B. S. /Ag	1
8	SPPING/SK7/Ni	1
7	PUSH/SK7/Ni	1
6	XLR CONTACT/P. B. S. /Au	3
5	TIP/P. B. S. /Ag	1
4	RING/P. B. S. /Ag	1
3	SLEEVE/P. B. S. /Ag	1
2	BACK COVER/NYLON/BLACK	1
1	BODY/NYLON/BLACK	1
	Description	Qty.

RoHS Compliant

TOLERANCES ARE

**MORETHANALL**  
PCB CONNECTORS  
Cable ASSEMBLIES

煜倫股份有限公司

www.morethanall.com

DRAWING BY CY

CHECKED BY GENIUS

UNIT / mm SCALE 1 : 1

DATE

SIZE A4

X. ±  
.X ±  
.XX ±  
.XXX ±  
ANG ±

PJECTION

照片框

ORDER INFORMATION

MICHJ-SRL-xxxxyy-LF

SERIES

FEMALE

LOCK

DIP 90°

LEADFREE

03G02: 03 WAY/GROUND 02C  
03G03: 03 WAY/GROUND 03C  
03G06C: 03 WAY/GROUND 6P3C

DESCRIPTION: 6.4MM PHONE & XLR JACK