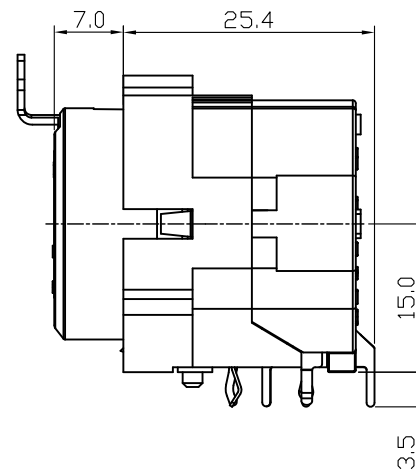
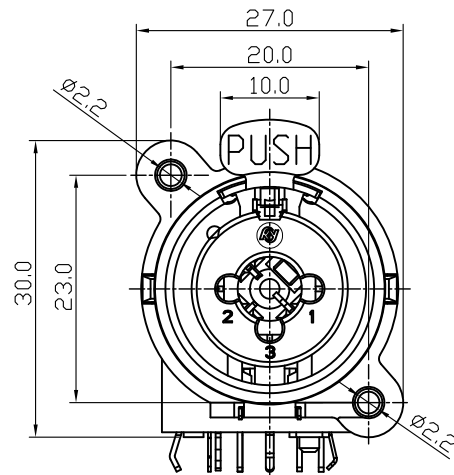
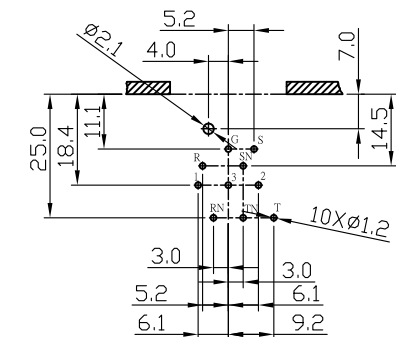
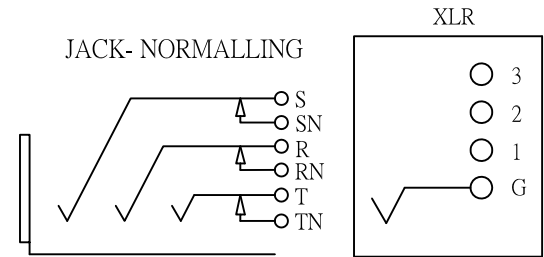


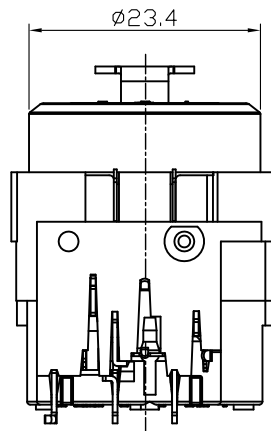
Panel cut out (front side)



NORMALLING-SCHEMES



PCB-LAYOUT (component side)  
(SCALE 3:1)



12	GROUND	1	P. B. S.	Ag
11	SPRING	1	SK7	Ni
10	PUSH	1	SK7	Ni
9	XLR CONTACT	3	P. B. S.	Au
8	TIP SHUNT	1	BRASS	Au
7	TIP	1	P. B. S.	Ag
6	RING SHUNT	1	BRASS	Au
5	RING	1	P. B. S.	Ag
4	SLEEVE SHUNT	1	BRASS	Au
3	SLEEVE	1	P. B. S.	Ag
2	BACK COVER	1	NYLON	BLACK
1	BODY	1	NYLON	BLACK
NO	PART NAME	Q' TY	MATERIAL	PLATING&COLOR

RoHS Compliant

TOLERANCES ARE

**MORETHANALL**  
PCB CONNECTORS  
Cable ASSEMBLIES

煜倫股份有限公司

www.morethanall.com

DRAWING BY CY

CHECKED BY GENIUS

UNIT / mm

SCALE 1:1

DATE

SIZE A4

X. ± 0.50

.X ± 0.30

.XX ± 0.15

.XXX ±

ANG ± 5°

PPOJECTION

照片框

ORDER INFORMATION

MICHJ-SRL-03G06C-LF

SERIES

LOCK

DIP 90°

FEMALE

LEADFREE

03 WAY/GROUND 6P3C

DESCRIPTION: 6.4MM PHONE & XLR JACK