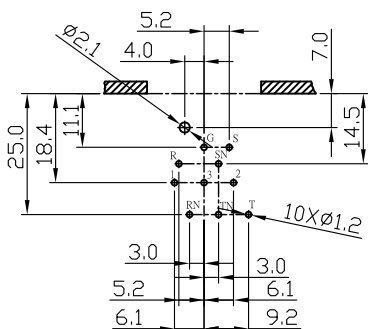
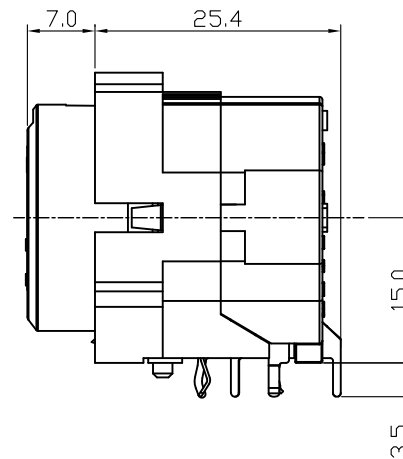
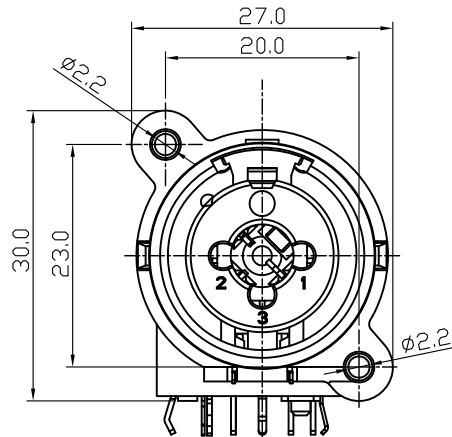
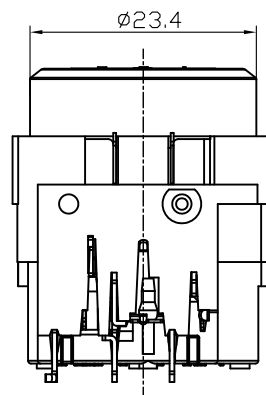


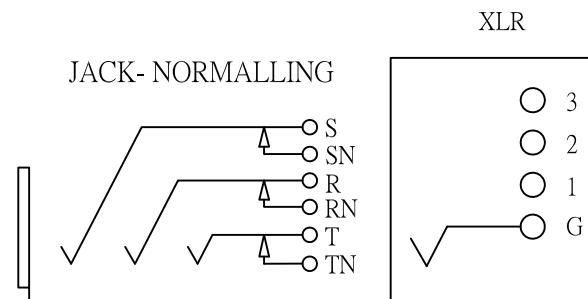
Panel cut out (front side)



PCB-LAYOUT (component side)  
(SCALE 3:1)



NORMALLING-SCHEMES



|    |              |      |          |               |
|----|--------------|------|----------|---------------|
| 11 | GROUND       | 1    | P.B.S.   | Ag            |
| 10 | SPRING       | 1    | SUS      |               |
| 9  | XLR CONTACT  | 3    | P.B.S.   | Au            |
| 8  | RING SHUNT   | 1    | BRASS    | Au            |
| 7  | TIP SHUNT    | 1    | BRASS    | Au            |
| 6  | SLEEVE SHUNT | 1    | BRASS    | Au            |
| 5  | RING         | 1    | P.B.S.   | Ag            |
| 4  | TIP          | 1    | P.B.S.   | Ag            |
| 3  | SLEEVE       | 1    | P.B.S.   | Ag            |
| 2  | BACK COVER   | 1    | NYLON    | BLACK         |
| 1  | BODY         | 1    | NYLON    | BLACK         |
| NO | PART NAME    | Q'TA | MATERIAL | PLATING&COLOR |

RoHS Compliant

TOLERANCES ARE

**MORETHANALL**  
PCB CONNECTORS  
Cable ASSEMBLIES

DRAWING BY CY

X. ± 0.50

CHECKED BY GENIUS

.X ± 0.30

UNIT / mm

SCALE 1:1

.XX ± 0.15

DATE

.XXX ±

ANG ±

照片框

ORDER INFORMATION

MICHJ-SR-03G06C-LF

SERIES

LEADFREE

03 WAY/GROUND 6P3C

DIP 90°

FEMALE

www.morethanall.com

SIZE A4

PJECTION

DESCRIPTION: 6.4MM PHONE & XLR JACK