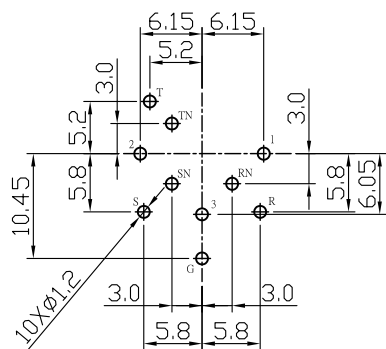
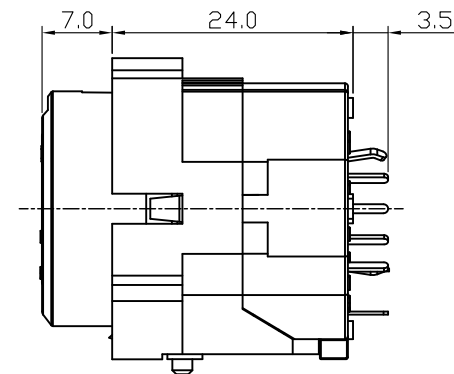
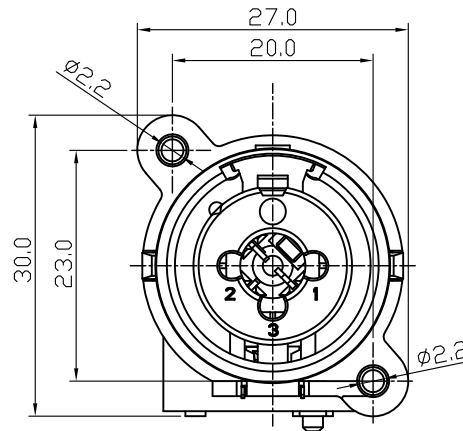
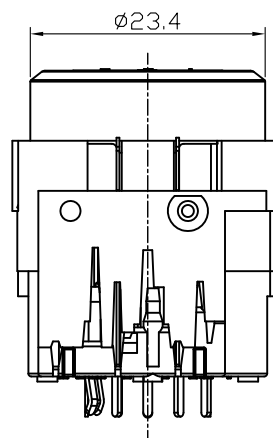


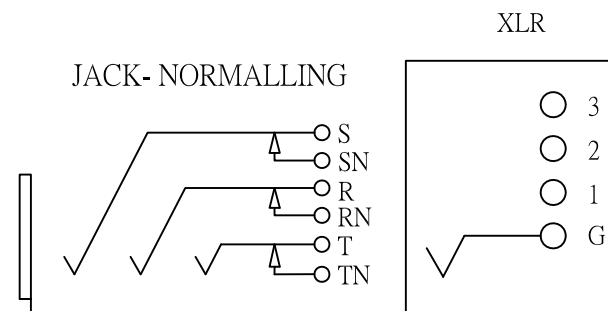
Panel cut out (front side)



PCB-LAYOUT (TOP VIEW)



NORMALLING-SCHEMES



11	GROUND	1	P.B.S.	Ag
10	SPRING	1	SUS	
9	XLR CONTACT	3	P.B.S.	Au
8	RING SHUNT	1	BRASS	Au
7	TIP SHUNT	1	BRASS	Au
6	SLEEVE SHUNT	1	BRASS	Au
5	RING	1	P.B.S.	Ag
4	TIP	1	P.B.S.	Ag
3	SLEEVE	1	P.B.S.	Ag
2	BACK COVER	1	NYLON	BLACK
1	BODY	1	NYLON	BLACK
NO	PART NAME	Q'TA	MATERIAL	PLATING&COLOR

RoHS Compliant

TOLERANCES ARE

MORETHANALL
PCB CONNECTORS
Cable ASSEMBLIES

DRAWING BY CY

X. ± 0.50

CHECKED BY GENIUS

.X ± 0.30

UNIT / mm

SCALE 1 : 1

.XX ± 0.15

DATE

.XXX ±

ANG ±

SIZE A4

PJECTION

照片框

ORDER INFORMATION

MICHJ-SD-03G06C-LF

SERIES

LEADFREE

03 WAY/GROUND 6P3C

DIP 180°

FEMALE

煜倫股份有限公司

www.morethanall.com

DESCRIPTION: