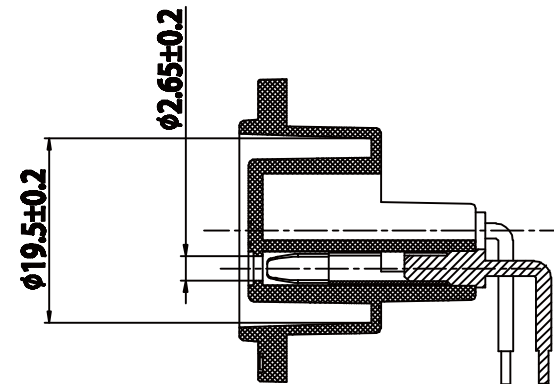
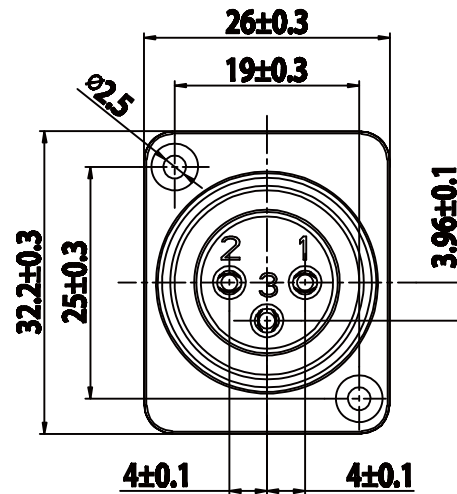
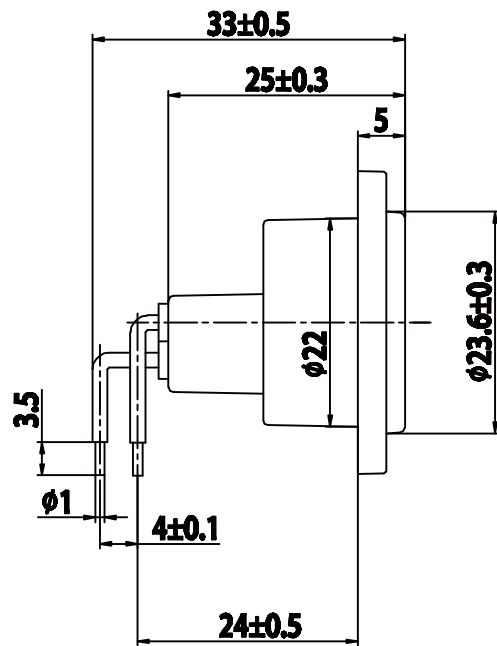
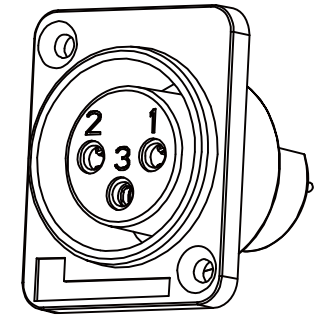
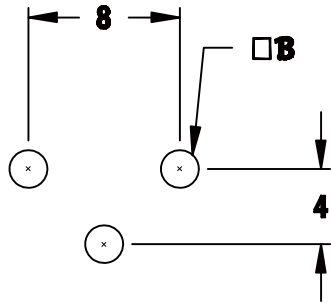


# PCB MOUNTING HOLE



RoHS Compliant

TOLERANCES ARE

**MORETHANALL**  
PCB CONNECTORS  
Cable ASSEMBLIES

DRAWING BY CY

X.±

CHECKED BY GENIUS

.X±

UNIT / mm

SCALE 1 : 1

.XX±

DATE

.XXX±

ANG±

照片框

ORDER INFORMATION

MIC-SRPQ-03-LF  
SERIES | | | | LEADFREE  
| | | | 03 WAY  
| | | | SQUARE  
| | | | PANEL  
| | | | DIP 90°  
| | | | FEMALE

煜倫股份有限公司

www.morethanall.com

SIZE A4

P PROJECTION

DESCRIPTION: