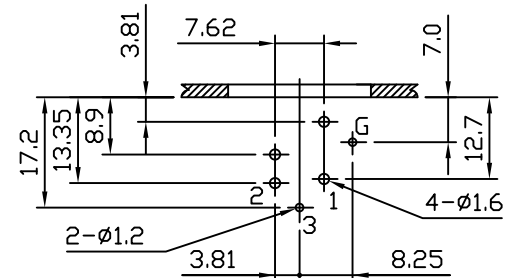


PANEL CUT OUT(±0.1)  
(FRONT SIDE)



P.C.B LAYOUT(±0.1)  
(BOTTOM VIEW)

4	BODY	1	PA66-94HB/G30		BLACK
3	SPRING $\Delta$	1	SK7	NICKEL	
2	CONTACT	3	P.B.S	GOLD 2u"	
1	SLEEVE	1	P.B.S	SILVER	
NO	PART NAME	Q'TY	MATERIAL	PLATED	REMARK

RoHS Compliant

TOLERANCES ARE



DRAWING BY CY

X. ± 0.50

CHECKED BY GENIUS

.X ± 0.30

UNIT / mm

SCALE 1 : 1

.XX ± 0.15

DATE

.XXX ±

ANG ±

SIZE A4

P PROJECTION  $\Phi$   $\nabla$

照片框

ORDER INFORMATION

MIC-SR-03-LF  
SERIES | | LEADFREE  
03 WAY  
DIP 90°  
FEMALE

煜倫股份有限公司

www.morethanall.com

DESCRIPTION:

包裝明細

包裝圖

一、包裝尺寸

1:(L\*W\*H) 外箱:(C-A0105-65)

450(mm)±35(mm)±35(mm)

2.真空盒:(C-G0416-060)

288(mm)±18(mm)±2.5(mm)

288(mm)±18(mm)±7(mm)

二、保丽龙(C-L0801-10)

300(mm)±00(mm)±0(mm)

三、使用設備[Packing Facility]

1.封箱机[Carton Tighted Machine]

2.膠帶机[TAPING Machine]

四、包裝明細[Packing Details]

1. 60PCS In One Vacuumize

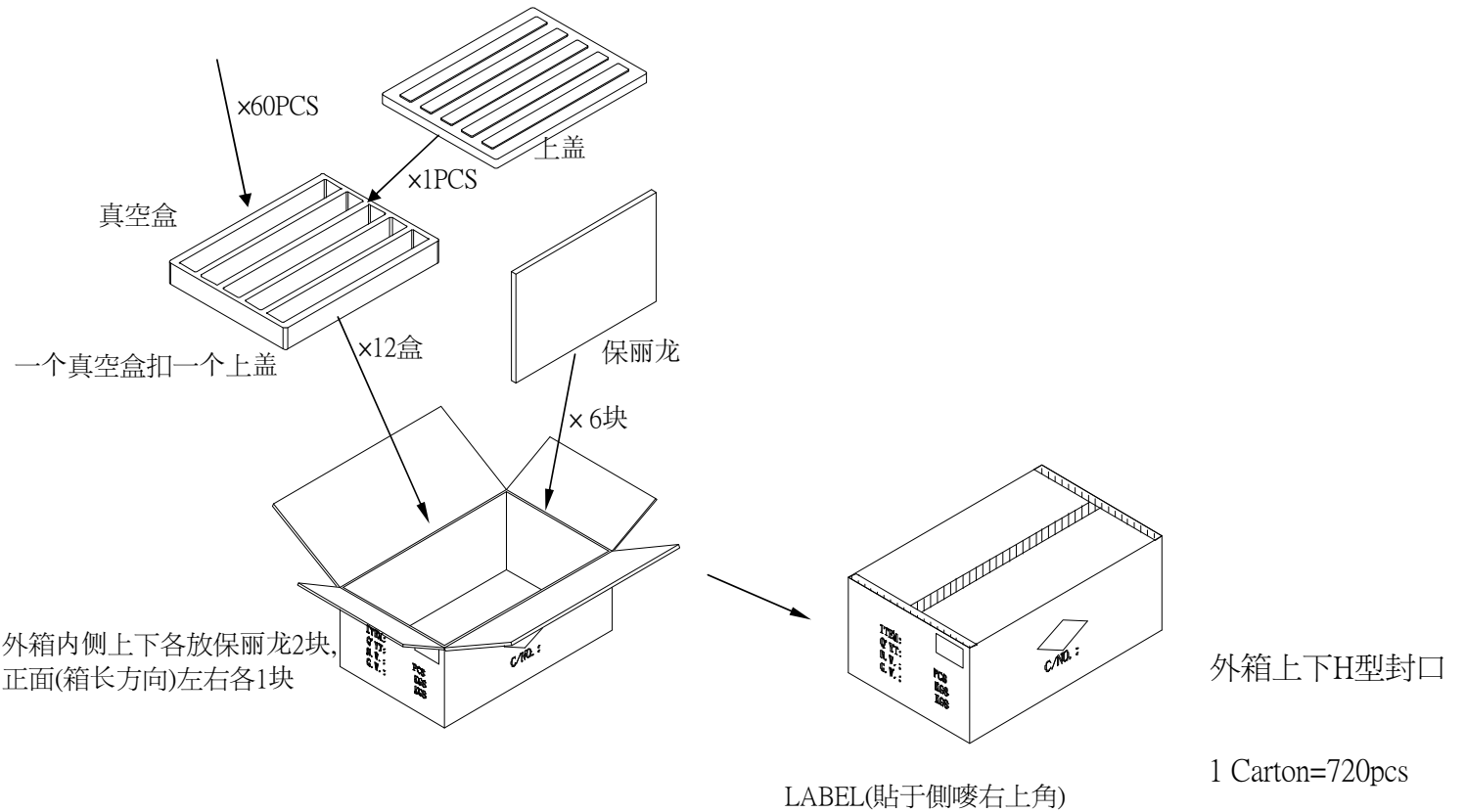
2. 12Vacuumize In One Carton

五、質量明細[Weight]

1.1 pcs=7g

2.1 Carton:Net Wt=5KG

/Gross Wt=6.85KG



RoHS Compliant

TOLERANCES ARE

**MORETHANALL**  
PCB CONNECTORS  
Cable ASSEMBLIES

煜倫股份有限公司

www.morethanall.com

DRAWING BY CY

CHECKED BY GENIUS

UNIT / mm SCALE 1 : 1

DATE

SIZE A4

X, ±

.X ±

.XX ±

.XXX ±

ANG ±

PPOJECTION

照片框

ORDER INFORMATION

MIC-SR-03-LF  
SERIES | | LEADFREE  
| | 03 WAY  
| | DIP 90°  
FEMALE

DESCRIPTION: