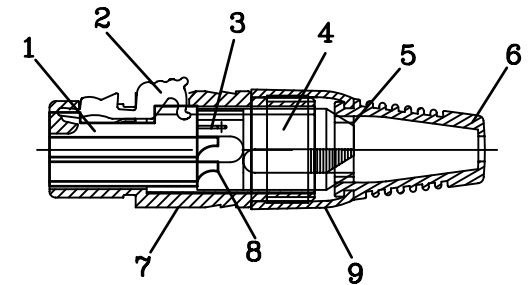
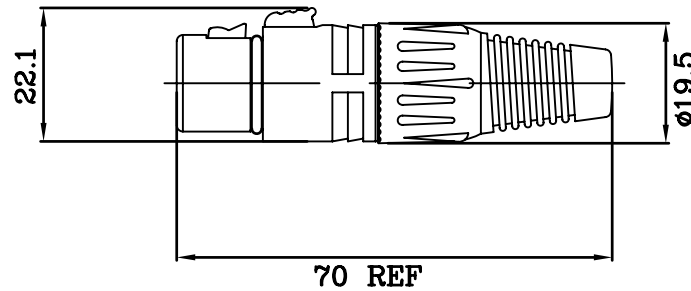
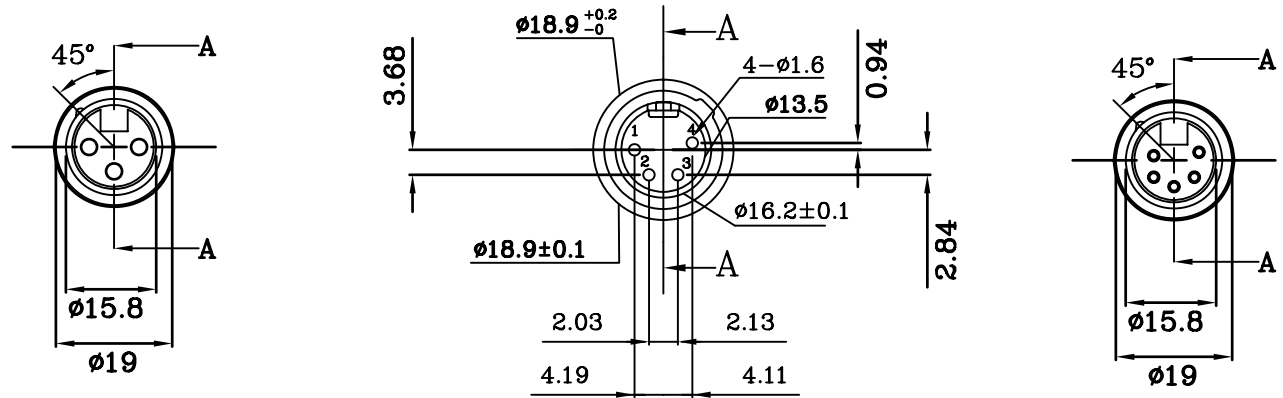


SPECIFICATIONS:

CONTACT RESISTANCE-<3M Ω
 INSULATION RESISTANCE->1G Ω
 DIELECTRIC STRENGTH-1500V/DC
 LIFE TIME(MATING CYCLES)>1000

CONTACT	SHELL
GOLD	GOLD
GOLD	NICKEL
SILVE	NICKEL
NICKEL	NICKEL
GOLD	BLACK PAINT

9	ABS-BLACK
8	BRASS
7	ZINC-NICKEL PLATED
6	TPR-BLACK
5	POM-BLACK
4	POM-BLACK
3	SUS-304/NICKEL PLATED
2	ZINC-NICKEL PLATED
1	ZINC-NICKEL PLATED
	MATERIAL



SECTION A-A

RoHS Compliant

TOLERANCES ARE

MORETHANALL
 PCB CONNECTORS
 Cable ASSEMBLIES

煜倫股份有限公司

www.morethanall.com

DRAWING BY CY

CHECKED BY GENIUS

UNIT / mm SCALE 1:1

DATE

SIZE A4

X. ±

.X ±

.XX ±

.XXX ±

ANG ±

P PROJECTION



ORDER INFORMATION

MIC-SA-xx-LF

SERIES | LEADFREE
 03-05WAY
 ASSEMBLY
 FEMALE

DESCRIPTION: