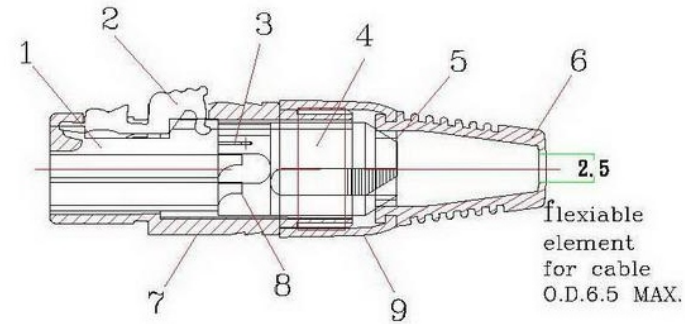


SPECIFICATIONS:

CONTACT RESISTANCE -  $< 3M \Omega$   
 INSULATION RESISTANCE -  $> 1G \Omega$   
 DIELECTRIC STRENGTH - 1500V/DC  
 LIFE TIME (MATING CYCLES)  $> 1000$

9	ABS - BLACK
8	BRASS
7	ZINC - NICKEL PLATED
6	TPR - BLACK
5	POM - BLACK
4	POM - BLACK
3	SUS - 304 / NICKEL PLATED
2	ZINC - NICKEL PLATED
1	ZINC - NICKEL PLATED
	MATERIAL



SECTION A-A

RoHS Compliant

TOLERANCES ARE

**MORETHANALL**  
 PCB CONNECTORS  
 Cable ASSEMBLIES

煜倫股份有限公司

www.morethanall.com

DRAWING BY CY

CHECKED BY GENIUS

UNIT / mm SCALE 1 : 1

DATE

SIZE A4

X, ±

.X, ±

.XX, ±

.XXX, ±

ANG, ±

PPOJECTION

照片框

ORDER INFORMATION

MIC-SA-03-LF  
 SERIES | LEADFREE  
 | 03WAY  
 | ASSEMBLY  
 | FEMALE

DESCRIPTION: