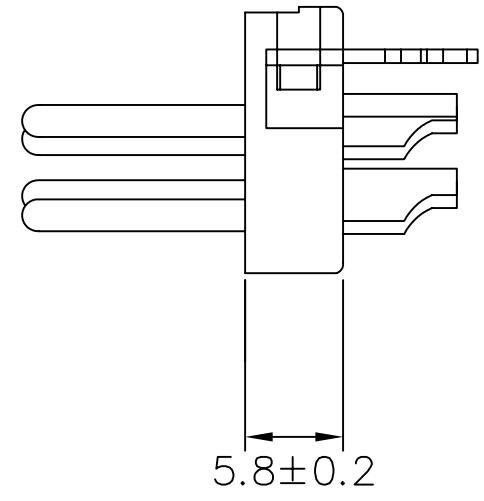
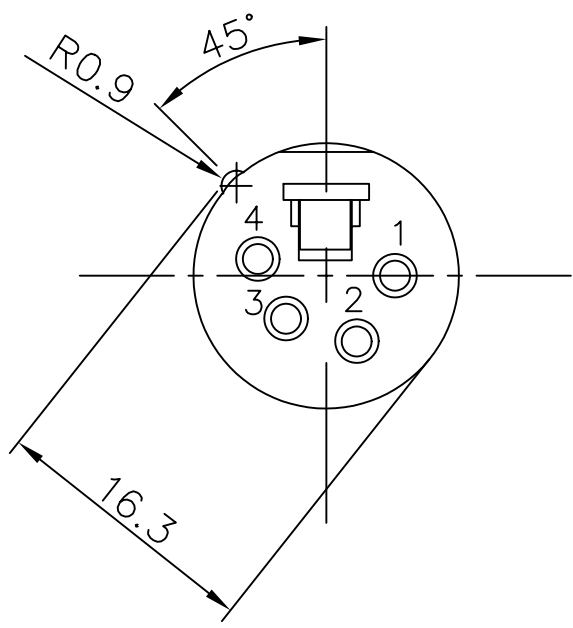
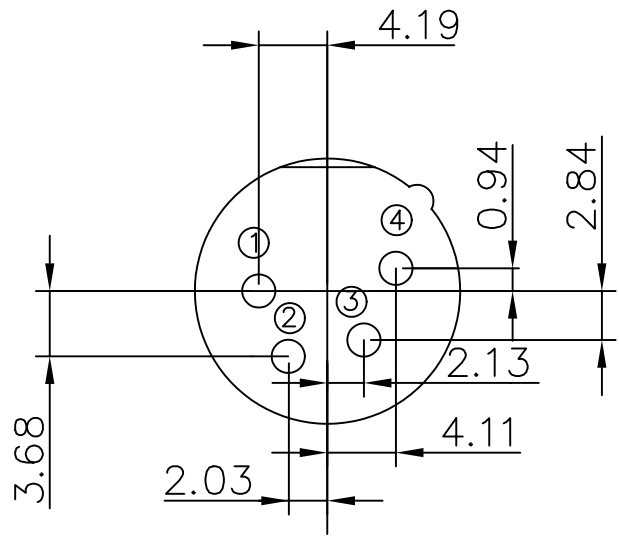
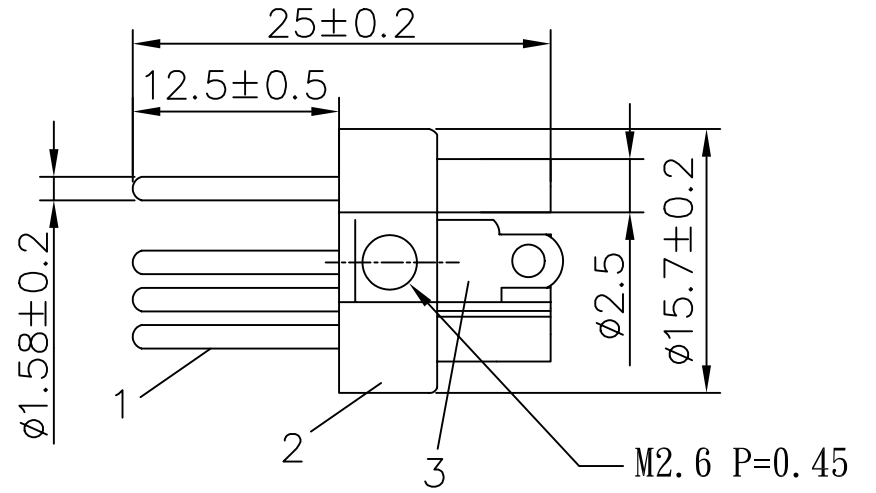


1 2 3 4 5 6 7 8 9 0

J  
I  
H  
G  
F  
E  
D  
C  
B  
A



3	BRASS-NICKEL PLATED
2	PBT-BLACK
1	BRASS-NICKEL/SILVER/GOLD PLATED
MATERIAL	



PART NO. MIC-PX-04

DWG NO. MIC-PX-04

FILE NO.

CHECKED BY CY

DRAWING BY

TOLERANCES ARE  
.X ± 0.2  
.XX ±  
.XXX ±  
AWG

DESCRIPTION: XLR-PM-03 /反牙螺絲(PPS)

煜倫股份有限公司

UNIT / mm

SCALE 1:1

PROJECTION

AREA	REVISIONS	HK	DATE
------	-----------	----	------