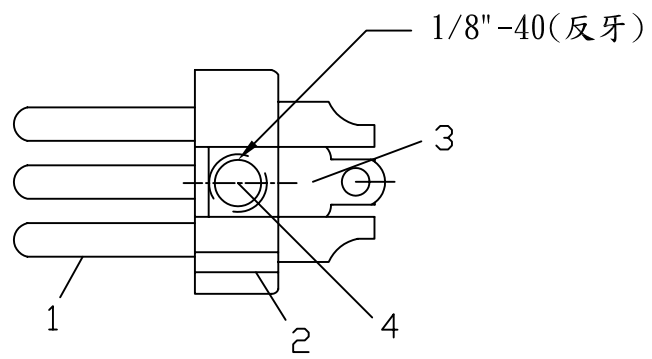


4	IRON-NICKEL PLATED
3	BRASS-NICKEL PLATED
2	PPS-BLACK
1	BRASS-NICKEL/SILVER/GOLD PLATED
	MATERIAL



A			PART NO. MIC-PX-03		TOLERANCES ARE .X ± 0.2 .XX ± .XXX ± AWG	DESCRIP TION: XLR-PM-03 /反牙螺絲(PPS)		
			DWG NO. MIC-PX-03					CHECKED BY CY
B	焯倫股份有限公司		FILE NO.		DRAWING BY		AREA      REVISIONS      HK      DATE	
			UNIT / mm	SCALE 1:1	PROJECTION			