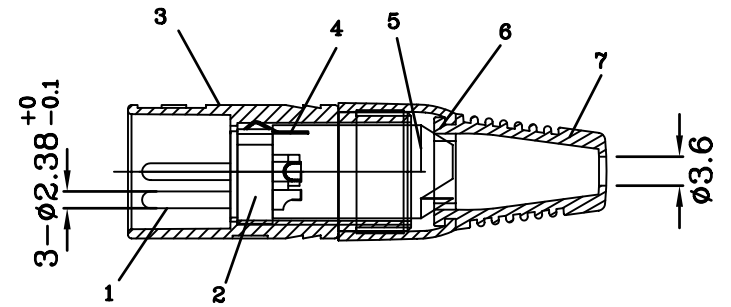
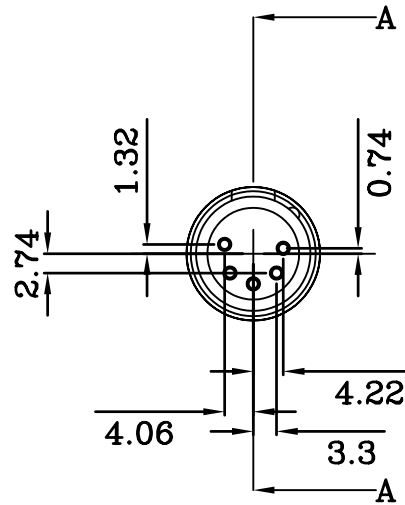
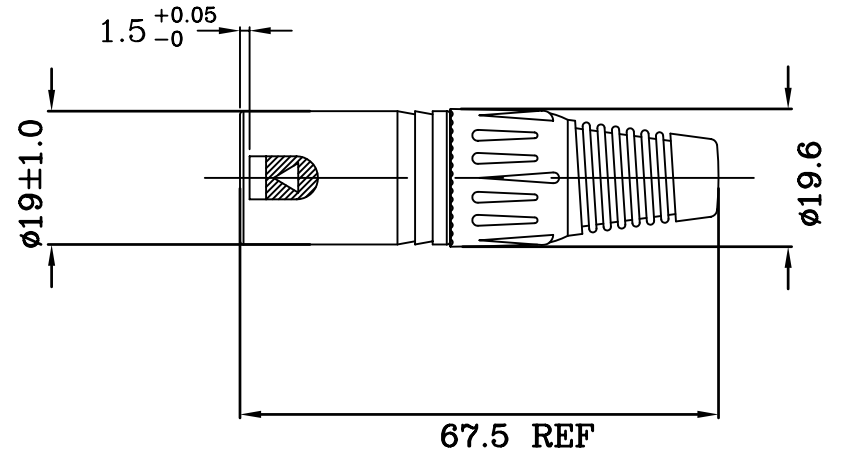


**SPECIFICATIONS:**

- CONTACT RESISTANCE--<math>3M\Omega</math>
- INSULATION RESISTANCE-->math>1G\Omega</math>
- DIELECTRIC STRENGTH--1500V/DC
- LIFE TIME(MATING CYCLES)>1000

7	PVC-BLACK
6	POM-BLACK
5	POM-BLACK
4	BRASS-NICKEL PLATED
3	ZINC
2	PBT-BLACK
1	BRASS
	MATERIAL



A-A SECTION

RoHS Compliant

TOLERANCES ARE



煜倫股份有限公司

www.morethanall.com

DRAWING BY CY

CHECKED BY GENIUS

UNIT / mm

SCALE 1 : 1

DATE

SIZE A4

PPOJECTION

X. ±  
.X ±  
.XX ±  
.XXX ±  
ANG ±



ORDER INFORMATION

MIC-PA-05-LF  
SERIES | LEADFREE  
05 WAY  
ASSEMBLY  
MALE

DESCRIPTION: