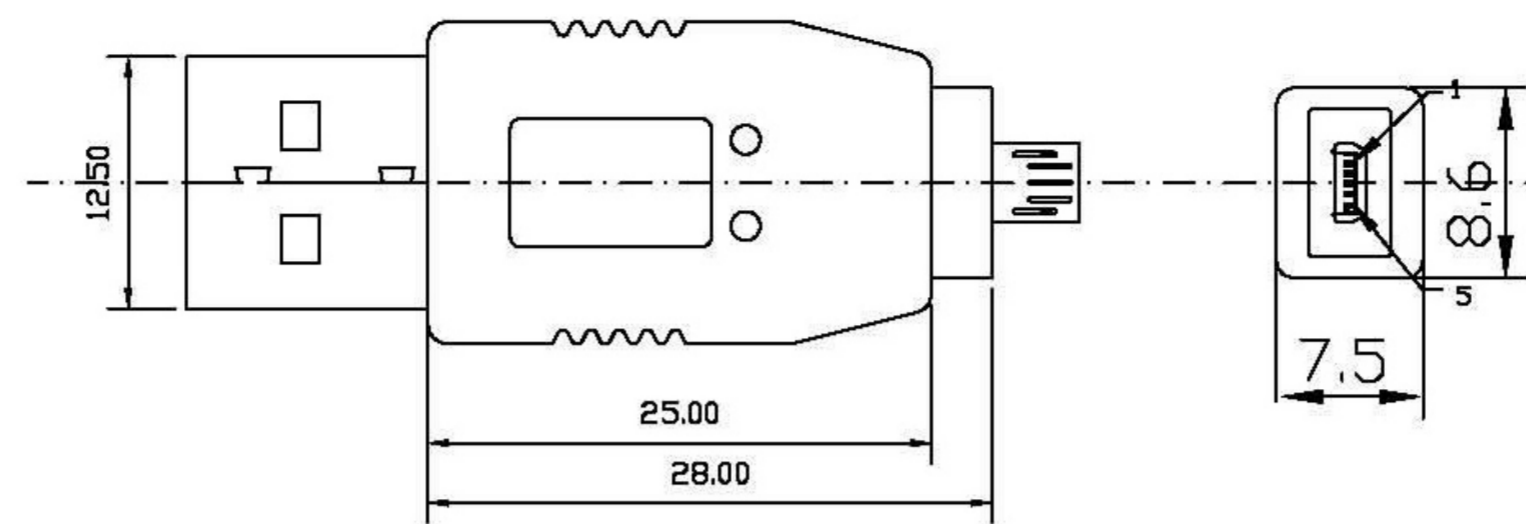
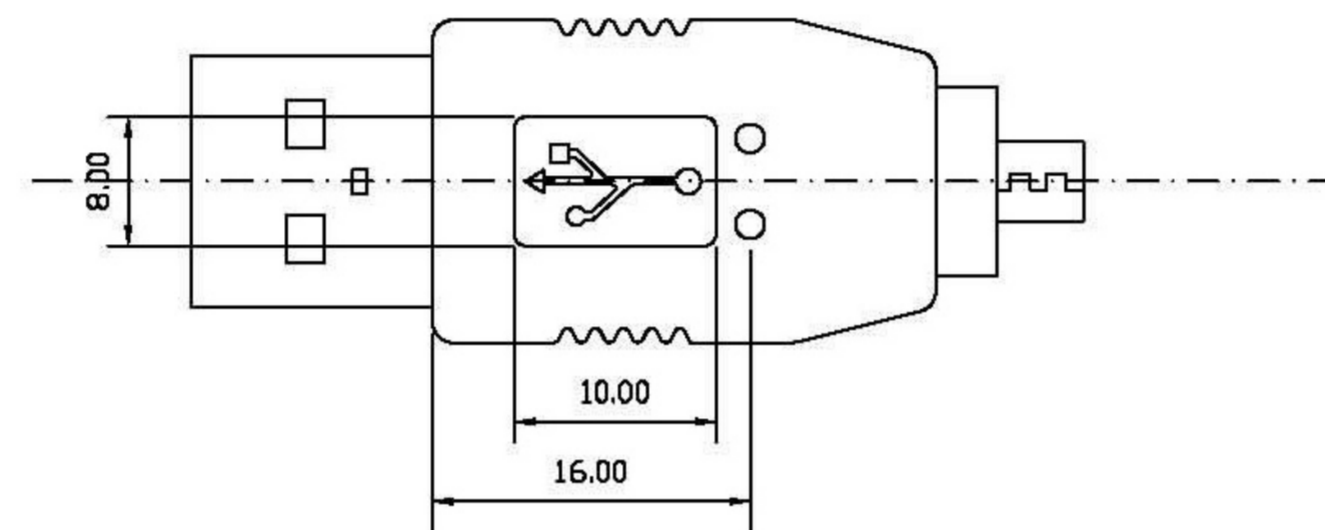


USB A MALE



MICRO USB BM



ELECTRONIC TEST:
 1.OPEN/SHORT/INTERMITTE:100%.
 2.INSULATION RESISTANCE:10MΩ
 3.CONTACT RESISTANCE:3Ω
 4.HI-POT:250V DTAGE.

Pin Assignment			
USB AM	SIGNAL NAME	COLOR	MICRO USB B
1	VBUS	RED	1
2	D-	WHITE	2
3	D+	GREEN	3
	ID	<RA_PLUG_ID	4
4	GND	BLACK	5
SHELL	SHIELD	DRIAN	SHELL

4	MICRO USB B TYPE MALE SHELL PLATED:NICKEL CONTACT:G/F	PCS	1
3	INTERNAL WIRES: UL1007 30AWG	PCS	5
2	PVC MOLDED COLOR: BLACK		
1	USB-A TYPE MALE WHITE PASTERN CONTACT PLATED: GOLD FLASH	PCS	1
NO.	DESCRIPTION	UNIT	QT'Y

MIBUB-MM-5B4A-LF
LEADFREE

RoHS Compliant

MORETHANALL
CONNECTORS
ASSEMBLIES

PART NO. MIBUB-MM-5B4A

DWG NO. MIBUB-MM-5B4A

CHECKED BY CY

TOLERANCES ARE

FILE NO.

DRAWING BY

.X ± 0.2

.XX ± 0.1

.XXX ±

AWG

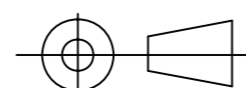
DESCRIPTION:

煜倫股份有限公司

UNIT / mm

SCALE 1:1

PROJECTION



AREA

REVISIONS

HK

DATE