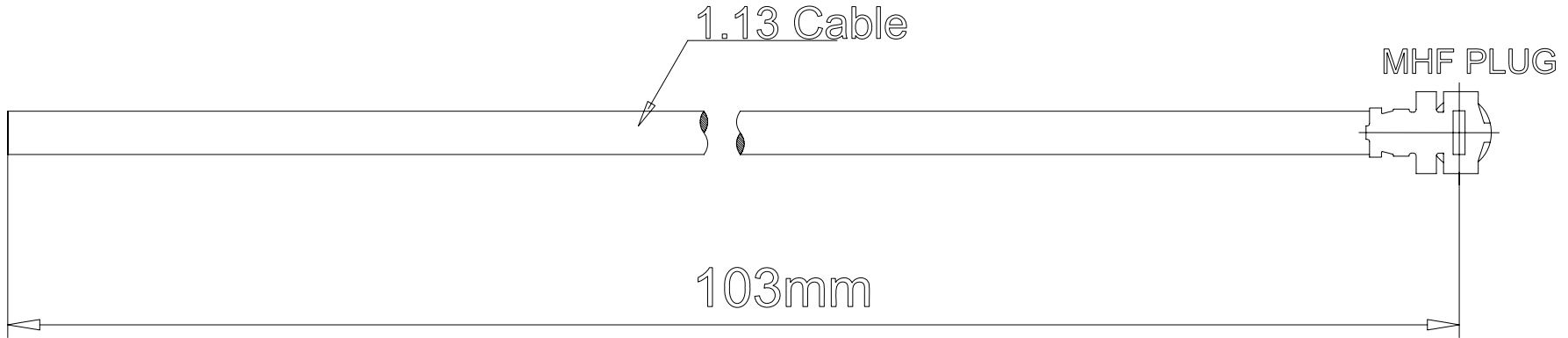


1 2 3 4 5 6 7 8 9 0

J
I
H
G
F
E
D
C
B
A



RoHS Compliant



PART NO. MHFX1-1R1C113-M10C3

DWG NO. MHFX1-1R1C113-M10C3

FILE NO.

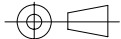
UNIT / mm

SCALE 1:1

CHECKED BY CY

DRAWING BY

PROJECTION



TOLERANCES ARE

.X ± 0.2

.XX ±

.XXX ±

AWG

DESCRIPTION: I-PEX MHF MALE 90° 射 OPEN Cable1.13 L=103mm

AREA

REVISIONS

HK

DATE

焯倫股份有限公司