

**MORETHANALL**  
CONNECTORS  
ASSEMBLIES

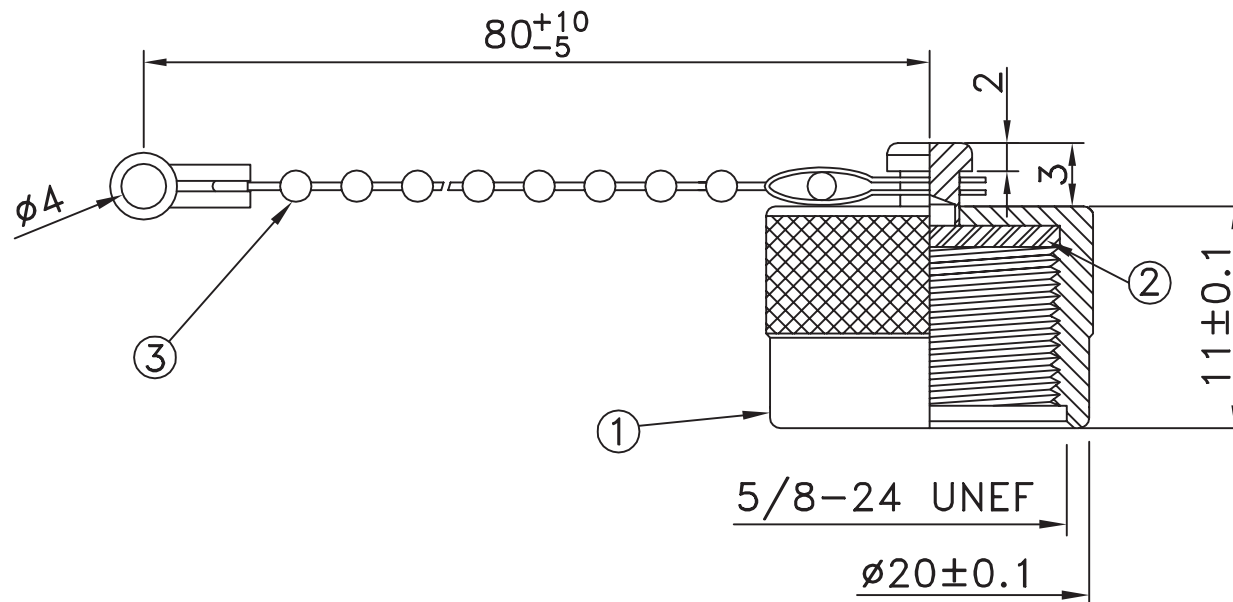
煜倫股份有限公司

PART NO. MHFWN-1R1S137-E20C	
DWG NO. MHFWN-1R1S137-E20C	CHECKED BY CY
FILE NO.	DRAWING BY
UNIT / mm	SCALE 1:1

RoHS Compliant	
TOLERANCES ARE	.X ± 0.2 .XX ± .XXX ± AWG
PROJECTION	

DESCRIPTION:	N BULKHEAD JACK TO I-PEX			
AREA	REVISIONS	HK	DATE	

	1	2	3	4	5	6	7	8	9	0
J										
I	<p><b>***CONSTRUCTION:</b></p> <p>1.CABLE: * MINI COAXIAL OD:1.37mm BLACK JACKET.</p>									
H	<p><b>***CONNECTORS:</b></p> <p>2.N JACK: * N BULKHEAD JACK CRIMP TYPE.  * PINS: PHOSPHOR BRONZE WITH GOLD PLATED.  * INSULATOR: TEFLON NATURE WHITE.  * SHELL: BRASS WITH NICKEL PLATED.  * GESKET: SILICONE RUBBER RED COLOR.  * NUT: 5/8 NUT BRASS WITH NICKEL PLATED.  * WASHER: BRASS WITH NICKEL PLATED.</p>									
G										
F	<p>3.MHF PLUG: * I-PEX MHF PLUG CRIMP TYPE.  * PINS: PHOSPHOR BRONZE WITH GOLD PLATED.  * INSULATOR: WHITE P.B.T UL 94V-0 RATED.  * SHELL: PHOSPHOR BRONZE WITH GOLD PLATED.</p>									
E	<p>4.SHRINK TUBE: * <math>\varnothing</math>4.0mm BLACK.</p>									
D	<p>5.TEST: * FREQUENCY: 5.8GHz; INSULATION RESISTANCE: 5000 MEGAOHM MIN;  INSERTION LOSS: -1.5dB MAX; V.S.W.R.: 1.5 MAX.</p>									
C	<p>6.PACKING: * PACK EACH CABLE IN A POLY BAG.</p>									
B	<p>7.MATERIAL: * MATERIAL WITH RoHS GRADE.</p>									
A			PART NO.MHFVN-1R1S137-E20C		CHECKED BY CY		TOLERANCES ARE		DESCRIPTION: N BULKHEAD JACK TO I-PEX	
	<b>煜倫股份有限公司</b>		DWG NO. MHFVN-1R1S137-E20C		DRAWING BY		.X ± 0.2 .XX ± .XXX ± AWG		AREA	
	UNIT / mm	SCALE 1:1	PROJECTION 		REVISIONS		HK	DATE		



**\*\*NOTES:**

1. BRASS WITH NICKEL PLATED.
2. RUBBER SILICON RED COLOR.
3. BRASS WITH NICKEL PLATED.



PART NO. MHFWN-1R1S137-E20C

DWG NO. MHFWN-1R1S137-E20C

FILE NO.

CHECKED BY CY

DRAWING BY

TOLERANCES ARE

.X ± 0.2  
.XX ±  
.XXX ±  
AWG

DESCRIPTION: N PROTECTIVE CAP FOR JACK WITH CHAIN

煜倫股份有限公司

UNIT / mm

SCALE 1:1

PROJECTION

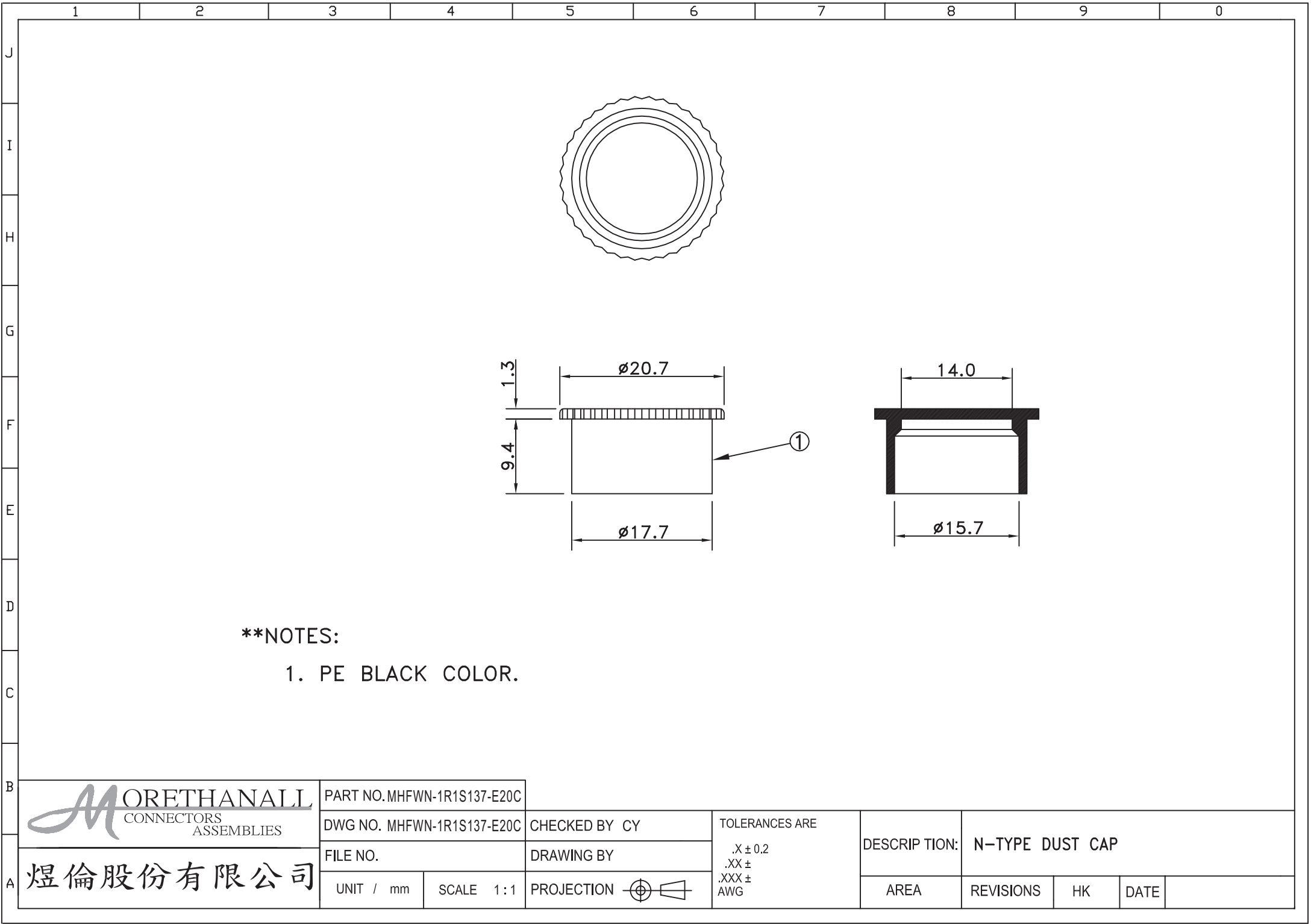


AREA

REVISIONS

HK

DATE



**\*\*NOTES:**

1. PE BLACK COLOR.

	PART NO. MHFWN-1R1S137-E20C		TOLERANCES ARE .X ± 0.2 .XX ± .XXX ± AWG	DESCRIPTION: N-TYPE DUST CAP				
	DWG NO. MHFWN-1R1S137-E20C						CHECKED BY CY	
焯倫股份有限公司	FILE NO.		DRAWING BY		AREA	REVISIONS	HK	DATE
	UNIT / mm	SCALE 1:1	PROJECTION					