

1 2 3 4 5 6 7 8 9 0

J

I

H

G

F

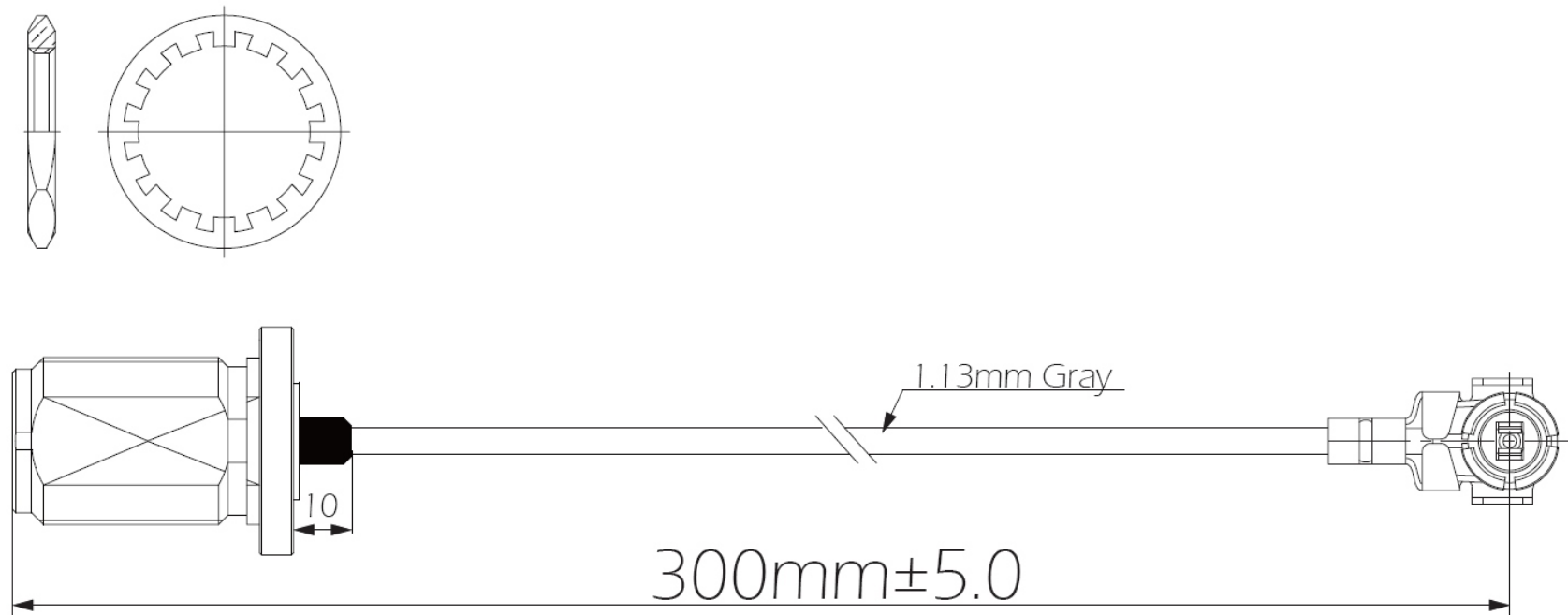
E

D

C

B

A



RoHS Compliant



PART NO. MHFN-1R1S113-E30C

DWG NO. MHFN-1R1S113-E30C

CHECKED BY CY

TOLERANCES ARE

DESCRIP TION:

FILE NO.

DRAWING BY

.X ± 0.2

AREA

UNIT / mm

SCALE 1:1

PROJECTION

.XX ± 0.1

.XXX ± AWG

REVISIONS

HK

DATE

煜倫股份有限公司