

Recommended PCB Layout

- Note:
1. Material Specification:
 - 1-1. Housing: LCP UL94V-0, Color: Black
 - 1-2. Contact: Copper Alloy
 - 1-3. Ground Contact: Copper Alloy
 2. Plating Specification:
 - 2-1. Contact: Gold 1u" over 50u" Nickel under plating
 - 2-2. Ground Contact: Gold Flash over 50u" Nickel under plating

RoHS Compliant

TOLERANCES ARE

MORETHANALL
PCB CONNECTORS
Cable ASSEMBLIES
煜倫股份有限公司
www.morethanall.com

DRAWING BY CY	
CHECKED BY GENIUS	
UNIT / mm	SCALE 1 : 1
DATE	
SIZE A4	PJECTION

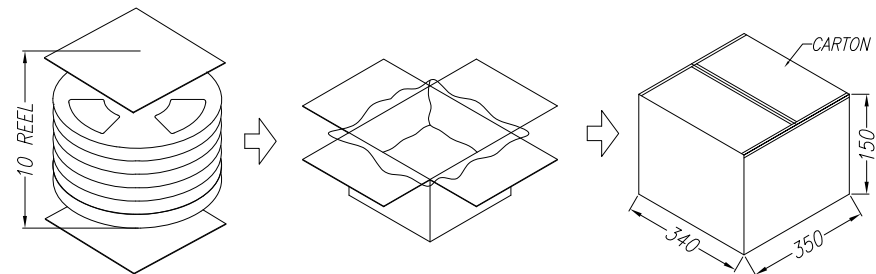
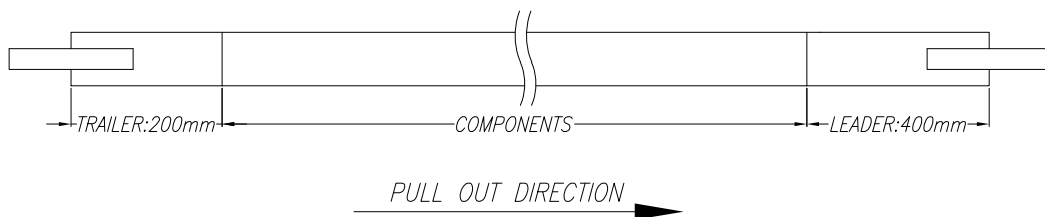
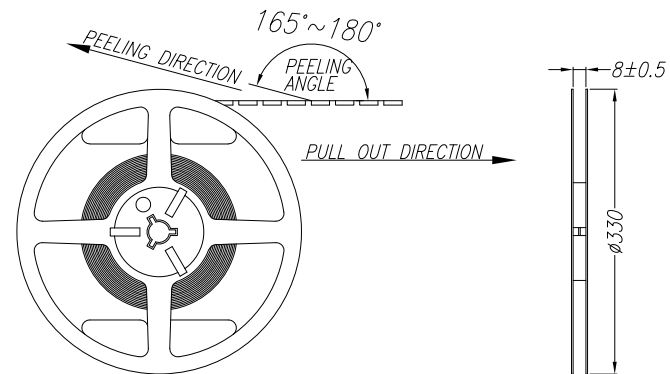
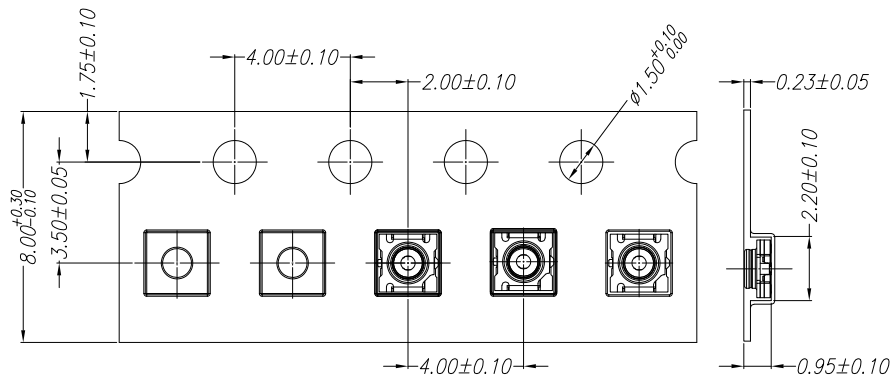
X. ±
.X ± 0.20
.XX ± 0.10
.XXX ±
ANG ±



ORDER INFORMATION

MHF15-JV02R-50-LF
SERIES | | | | LEADFREE
50 OHM
REEL
HIGH 0.20mm
180°SMT
JACK

DESCRIPTION: Micro RF Connector 4st Generation 2.0x2.0x0.60mm SMT OD1.50mm GF



	PCS/REEL	REEL/CARTON	SUM(PCS)	N.W.(KG)	G.W.(KG)
CONNECTOR	10,000	10	100,000	3.5	4.5

RoHS Compliant

TOLERANCES ARE

MORETHANALL
PCB CONNECTORS
Cable ASSEMBLIES

DRAWING BY CY

X. ±

CHECKED BY GENIUS

.X ± 0.20

UNIT / mm

SCALE 1 : 1

.XX ± 0.10

DATE

.XXX ±

ANG ±

照片框

ORDER INFORMATION

MHF15-JV02R-50-LF

SERIES | | | | LEADFREE
50 OHM
REEL
HIGH 0.20mm
180°SMT
JACK

煜倫股份有限公司

www.morethanall.com

SIZE A4

PPOJECTION

DESCRIPTION: Micro RF Connector 4st Generation 2.0x2.0x0.60mm SMT OD1.50mm GF