

M MORETHANALL
CONNECTORS
ASSEMBLIES

PART NO. **MHC-W34-401**

DWG NO. **MHC-W34-401**

CHECKED BY CY

TOLERANCES ARE

DESCRIPTION: **MEMORY CARD 4 IN 1 COMBD CONNECTOR**

FILE NO.

DRAWING BY

.X ± 0.2
.XX ±
.XXX ±
AWG

AREA

REVISIONS

HK

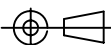
DATE

焯倫股份有限公司

UNIT / mm

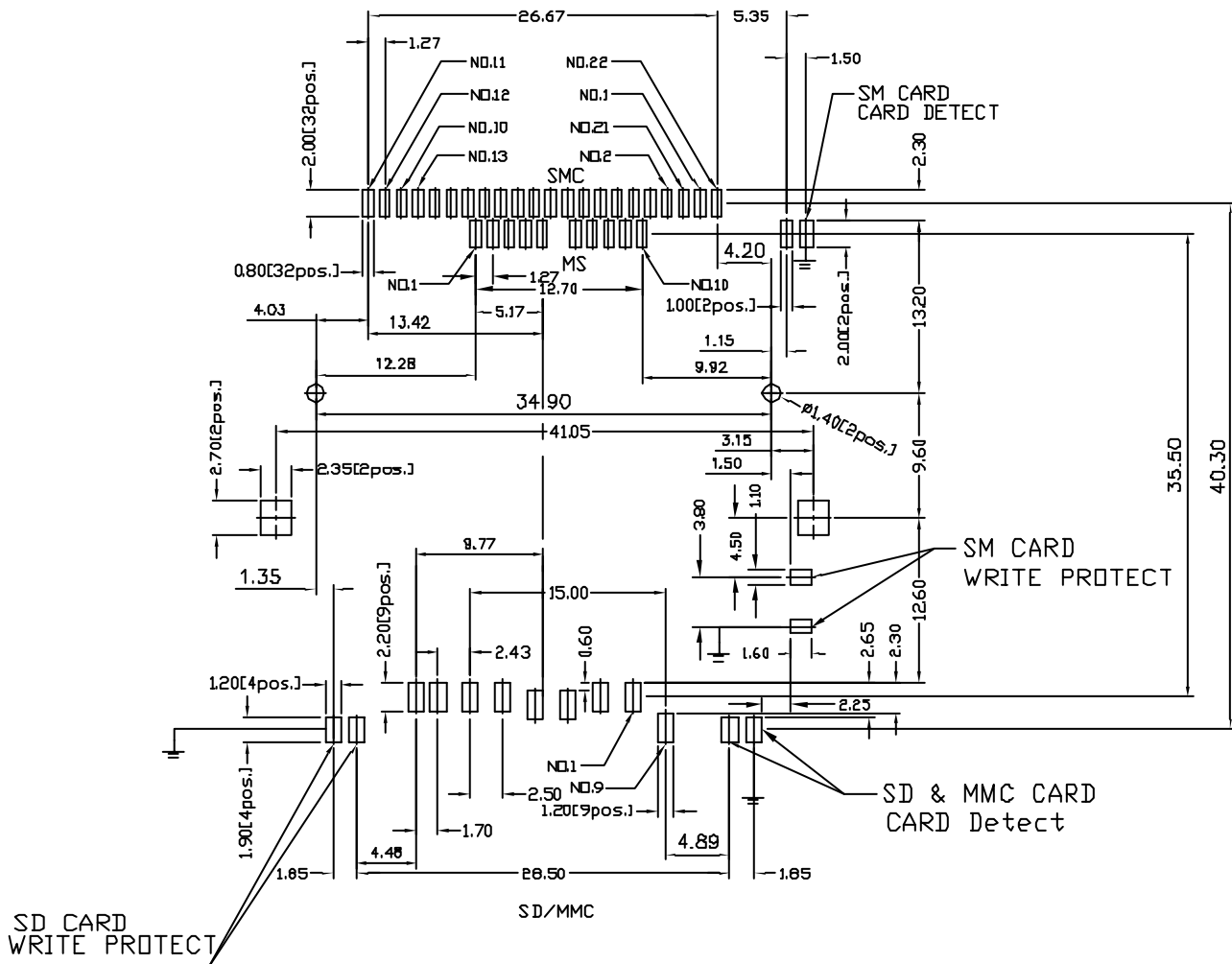
SCALE 1:1

PROJECTION

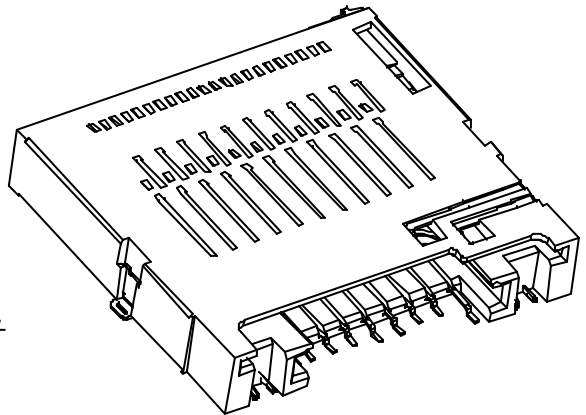


**SPECIFICATION
MATERIAL & FINISH**

Housing : Hi-Temp. [UL 94V-0]-BLACK
 Contact : Phosphor bronze
 Finish : 15u" Gold plated on contact area, 100u" min.
 Tin plated on solder tails, Base Nickel : 40u" min.
 Lock : Brass [100u" min. Tin plated]



Recommended PCB Layout
(PCB TOLERANCE ±0.05)



PART NO. **MHC-W34-401**

DWG NO. **MHC-W34-401**

FILE NO.

UNIT / mm

SCALE 1:1

CHECKED BY CY

DRAWING BY

PROJECTION

TOLERANCES ARE

.X ± 0.2
.XX ±
.XXX ±
AWG

DESCRIPTION:

AREA	REVISIONS	HK	DATE
------	-----------	----	------

煜倫股份有限公司

SD CARD 

PIN#	NAME	DESCRIPTION
1	CD/DAT3	CARD DETECT/DATA LINE BIT3
2	CMD	COMMAND/RESPONSE
3	VSS1	SUPPLY VOLTAGE GROUND
4	VDD1	SUPPLY VOLTAGE
5	CLK	CLOCK
6	VSS2	SUPPLY VOLTAGE GROUND
7	DAT0	DATA LINE BIT0
8	DAT1	DATA LINE BIT1
9	DAT2	DATA LINE BIT2

Funtin Card Type	WRITE PROTECTED	CARD DETECTED
SD	✓	✓
SMC	✓	
MS	✗	
MMC	✗	

SMART MEDIA CARD

PIN#	PIN NAME	I/O	PIN FUNCTION	NOTE
1	GND		GROUND	
2	CLE	I	COMMAND LATCH ENABLE	
3	ALE	I	ADDRESS LATCH ENABLE	
4	-WE	I	WRITE ENABLE	
5	-WP	I	WRITE PROTECT(NOTE 1)	FLASH MEMORY ONLY
6	D0	I/O	DATA 0	
7	D1	I/O	DATA 1	
8	D2	I/O	DATA 2	
9	D3	I/O	DATA3	
10	GND		GROUND	
11	-CD	O	CARD DETECT	
12	VCC		VCC	
13	D4	I/O	DATA 4	
14	D5	I/O	DATA 5	
15	D6	I/O	DATA 6	
16	D7	I/O	DATA 7	
17	LVD	O	LDV VOLTAGE DETECT	
18	GND	I	GROUND(NOTE 2)	
19	R/-B	I/O	READY/BUSY(NOTE 3)	
20	-RE	I	READ ENABLE	
21	-CE	I	CARD ENABLE	
22	VCC		VCC	

MEMORY STICK

PIN#	NAME	DESCRIPTION
1	VSS	VSS
2	BS	SERIAL PROTOCOL BUS STATE SIGNAL
3	VCC	VCC
4	SDIO	SERIAL PROTOCOL DATA SIGNAL
5	RESERVED	RESERVED
6	INS	STICK INSERTION/EXTRACTION DETECT-TERMINAL
7	RESERVED	RESERVED
8	SCLK	SERIAL PROTOCOL CLOCK SIGNAL
9	VCC	VCC
10	VSS	VSS



PART NO. **MHC-W34-401**

DWG NO. **MHC-W34-401**

FILE NO.

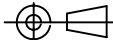
UNIT / mm

SCALE 1:1

CHECKED BY CY

DRAWING BY

PROJECTION



TOLERANCES ARE

.X ± 0.2
.XX ±
.XXX ±
AWG

DESCRIPTION:

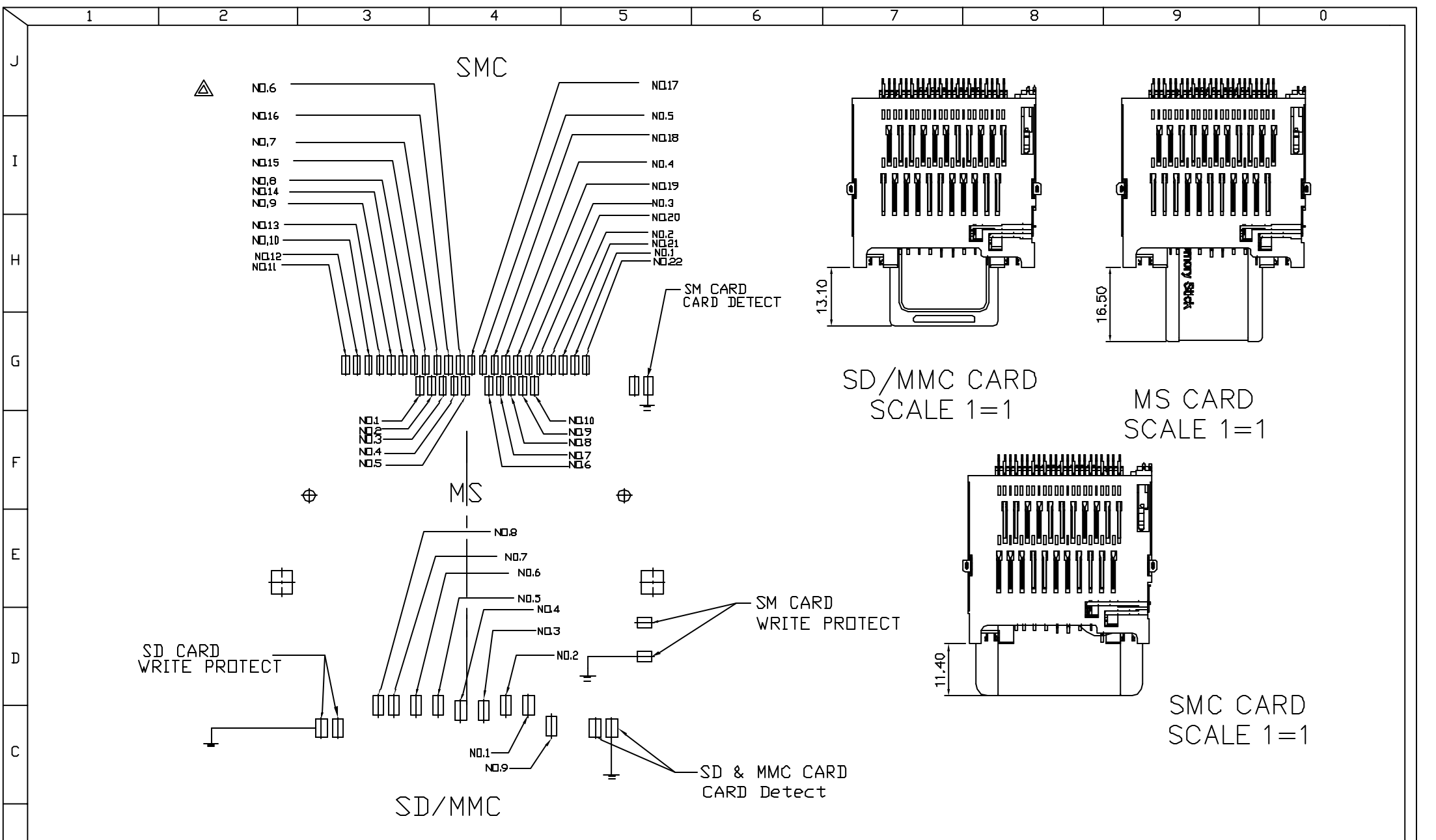
AREA

REVISIONS

HK

DATE

煜倫股份有限公司



MORETHANALL
CONNECTORS
ASSEMBLIES

PART NO. **MHC-W34-401**

DWG NO. **MHC-W34-401**

FILE NO.

UNIT / mm

SCALE 1:1

CHECKED BY CY

DRAWING BY

PROJECTION

TOLERANCES ARE
.X ± 0.2
.XX ±
.XXX ±
AWG

DESCRIPTION:			
AREA	REVISIONS	HK	DATE

焯倫股份有限公司