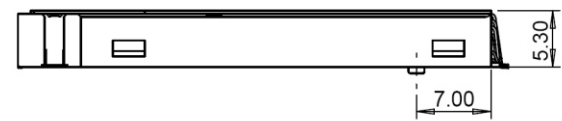
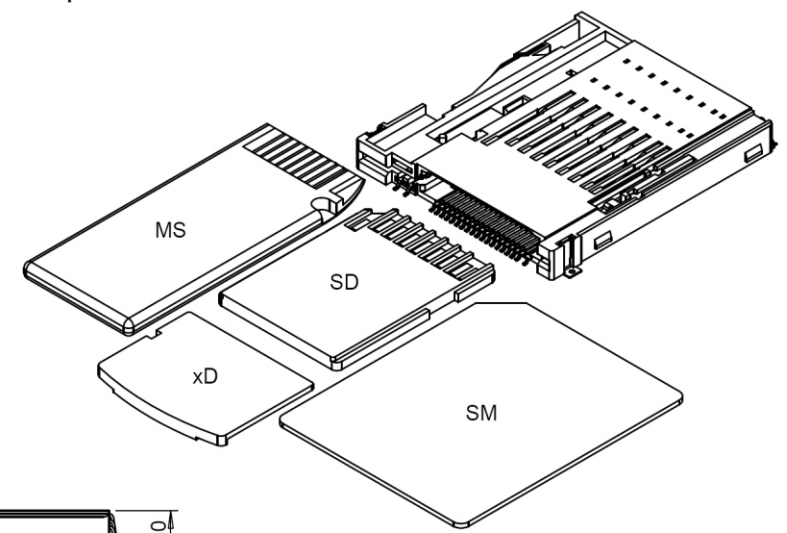


NOTES :
 1. MATERIAL :
 INSULATOR : HIGH TEMPERATURE
 THERMOPLASTIC , UL94V-0.
 COLOR : BLACK
 CONTACT : PHOSPHOR BRONZE.

MHC-W33-501-LF
 LEADFREE

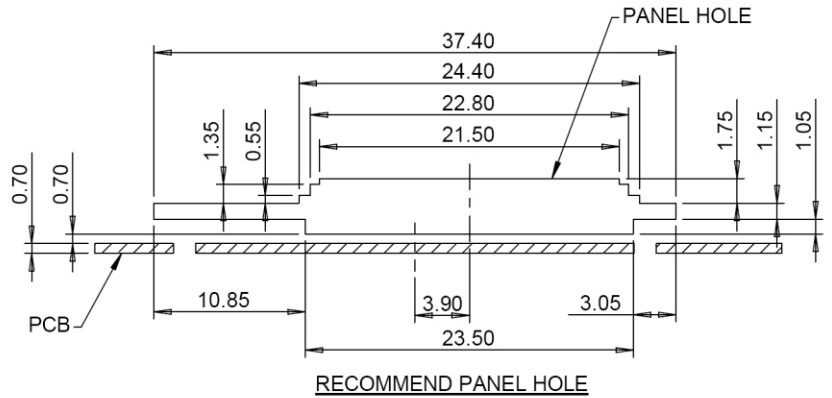
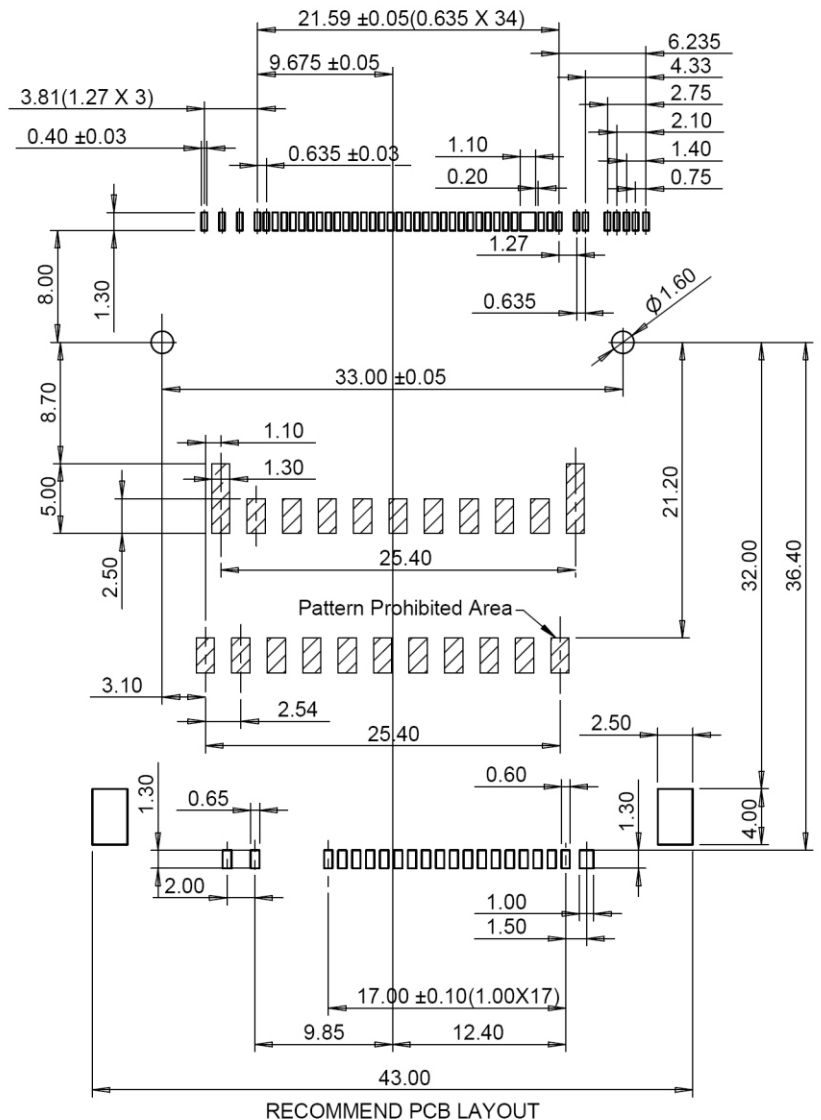
RoHS Compliant



MORETHANALL
 CONNECTORS
 ASSEMBLIES

煜倫股份有限公司

PART NO. MHC-W33-501		CHECKED BY CY		TOLERANCES ARE .X ± 0.2 .XX ± 0.1 .XXX ± AWG	DESCRIP TION:			
DWG NO. MHC-W33-501		DRAWING BY			AREA	REVISIONS	HK	DATE
UNIT / mm	SCALE 1:1	PROJECTION						



PART NO. MHC-W33-501

DWG NO. MHC-W33-501

CHECKED BY CY

TOLERANCES ARE

DESCRIPTION:

FILE NO.

DRAWING BY

.X ± 0.2
.XX ± 0.1
.XXX ±
AWG

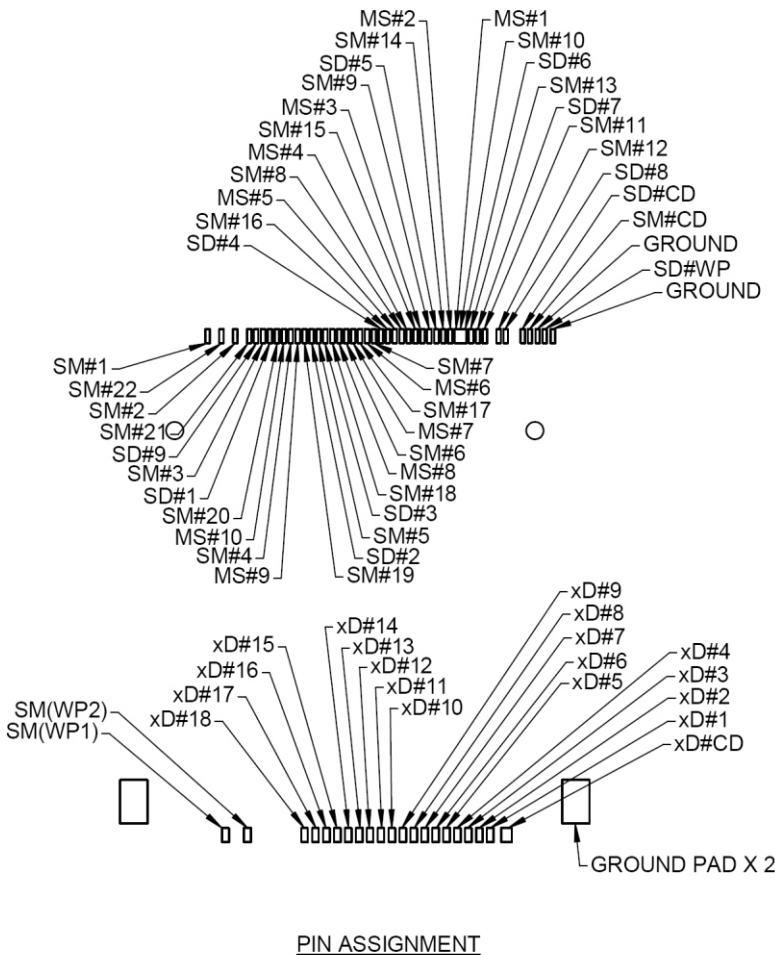
AREA	REVISIONS	HK	DATE
------	-----------	----	------

焯倫股份有限公司

UNIT / mm

SCALE 1:1

PROJECTION



PIN DEFINITION

PIN NO.	MEMORY CARD PIN NO.	PIN NO.	MEMORY CARD PIN NO.	PIN NO.	MEMORY CARD PIN NO.
SM#1	SM-1 (GND)	SM#16	SM-16 (I/O8)	SM(WP1)	SM (WP1)
SM#22	SM-22 (VCC)	MS#5	MS-5 (DAT2)	SM(WP2)	SM (WP2)
SM#2	SM-2 (CLE)	SM#8	SM-8 (I/O3)	xD#18	xD-18 (VCC)
SM#21	SM-21 (CE)	MS#4	MS-4 (SDIO/DAT0)	xD#17	xD-17 (D7)
SD#9	SD-9 (DAT2)	SM#15	SM-15 (I/O7)	xD#16	xD-16 (D6)
SM#3	SM-3 (ALE)	MS#3	MS-3 (DAT1)	xD#15	xD-15 (D5)
SD#1	SD-1 (DAT3)	SM#9	SM-9 (I/O4)	xD#14	xD-14 (D4)
SM#20	SM-20 (RE)	SD#5	SD-5 (CLK)	xD#13	xD-13 (D3)
MS#10	MS-10 (VSS)	SM#14	SM-14 (I/O6)	xD#12	xD-12 (D2)
SM#4	SM-4 (WE)	MS#2	MS-2 (BS)	xD#11	xD-11 (D1)
MS#9	MS-9 (VCC)	MS#1	MS-1 (VSS)	xD#10	xD-10 (D0)
SM#19	SM-19 (R/B)	SM#10	SM-10 (GND)	xD#9	xD-9 (GND)
SD#2	SD-2 (CMD)	SD#6	SD-6 (GND)	xD#8	xD-8 (-WP)
SM#5	SM-5 (WP)	SM#13	SM-13 (I/O5)	xD#7	xD-7 (-WE)
SD#3	SD-3 (GND)	SD#7	SD-7 (DAT0)	xD#6	xD-6 (ALE)
SM#18	SM-18 (GND)	SM#11	SM-11 (GND)	xD#5	xD-5 (CLE)
MS#8	MS-8 (SCLK)	SM#12	SM-12 (VCC)	xD#4	xD-4 (-CE)
SM#6	SM-6 (I/O1)	SD#8	SD-8 (DAT1)	xD#3	xD-3 (-RE)
MS#7	MS-7 (DAT3)	SD#CD	SD (CD)	xD#2	xD-2 (R/-B)
SM#17	SM-17 (LVD)	SM#CD	SM (CD)	xD#1	xD-1 (GND)
MS#6	MS-6 (INS)	GND	SD (GND)	xD#CD	xD-CD (CD)
SM#7	SM-7 (I/O2)	SD#WP	SD (WP)		
SD#4	SD-4 (VCC)	GND	SM (GND)		

MORETHANALL
CONNECTORS
ASSEMBLIES

煜倫股份有限公司

PART NO. MHC-W33-501	
DWG NO. MHC-W33-501	
FILE NO.	SCALE 1:1
UNIT / mm	PROJECTION

CHECKED BY CY	DRAWING BY
DRAWING BY	
PROJECTION	

TOLERANCES ARE

.X ± 0.2
.XX ± 0.1
.XXX ±
AWG

DESCRIP TION:				
	AREA	REVISIONS	HK	DATE