

- NOTES :
1. MATERIAL :  
INSULATOR : HIGH TEMPERATURE THERMOPLASTIC  
FLAMMABILITY RATING : 94V-0    COLOR : BLACK  
CONTACT : COPPER ALLOYS  
COVER : STAINLESS STEEL
  2. CONTACT AREA PLATING :  
GOLD OVER NICKEL
  3. SOLDER TAILS TO BE WITHIN 0.05 UPWARD  
AND 0.2 DOWN WARD FROM Z-DATUM  
PLACE,AND COPLANARITY OF SOLDER  
TAILS TO BE WITHIN 0.12mm
  4. MULTIMEDIA CARD COMPATIBLE
  5. WP : WRITE PROTECT  
CD : CARD DETECT INDICATION
  6. ATTACHED MYLAR TO COVER

MHC-W25-501-LF  
LEADFREE

RoHS Compliant



PART NO. MHC-W25-501

DWG NO. MHC-W25-501

CHECKED BY CY

TOLERANCES ARE

DESCRIP TION:

FILE NO.

DRAWING BY

.X ± 0.2  
.XX ± 0.1  
.XXX ±  
AWG

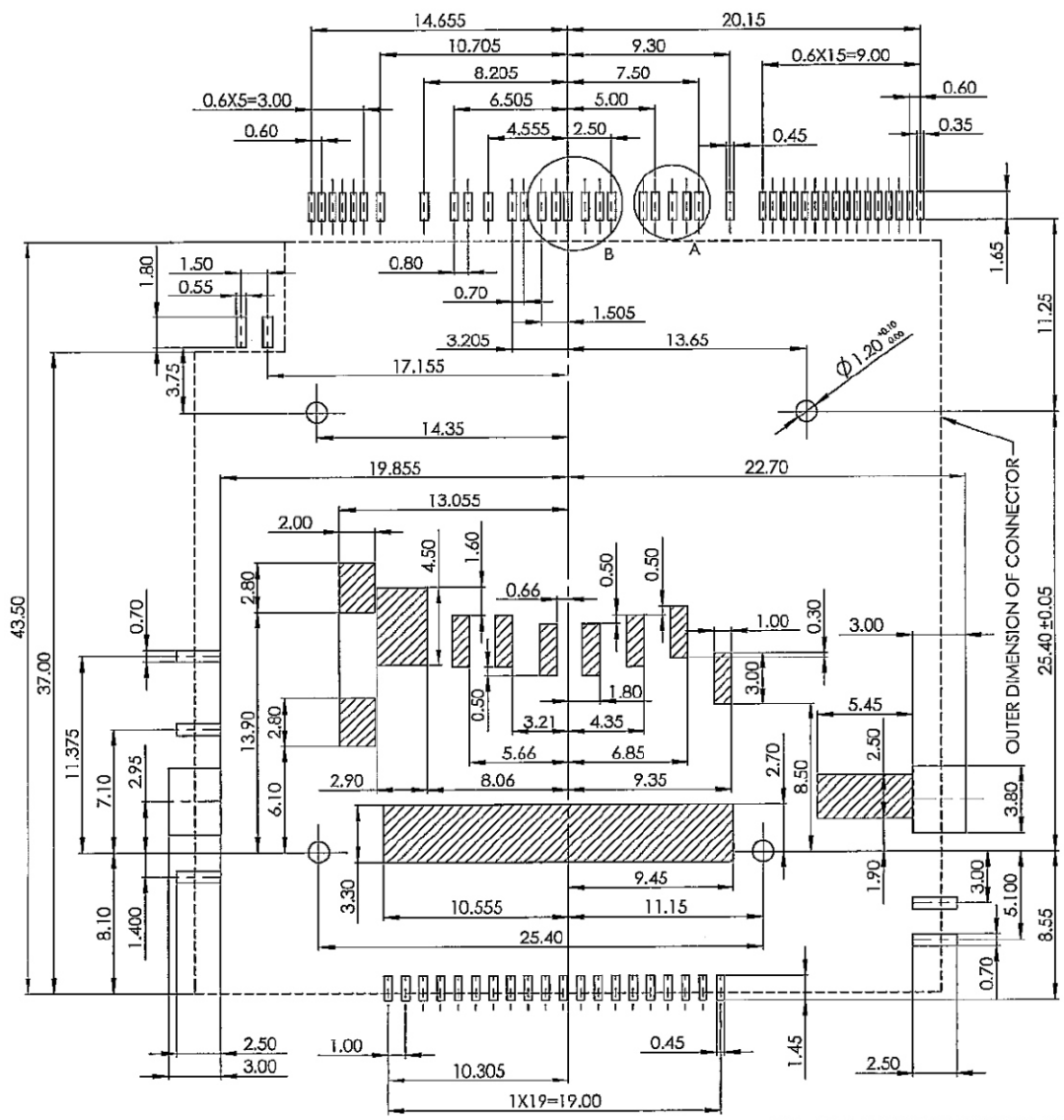
AREA	REVISIONS	HK	DATE
------	-----------	----	------

煜倫股份有限公司

UNIT / mm

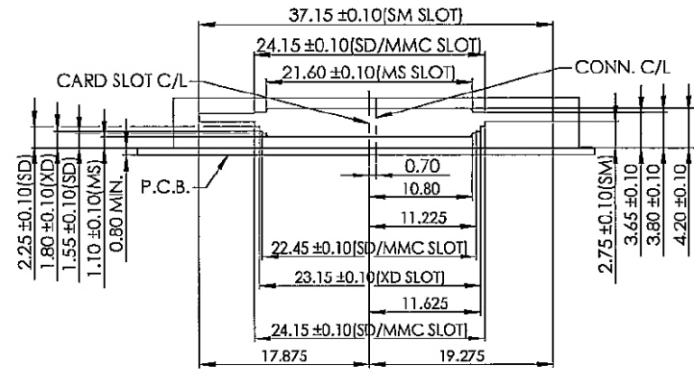
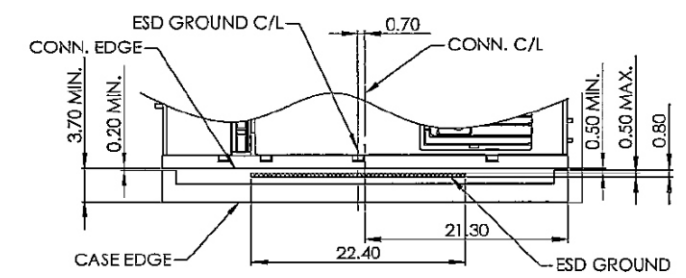
SCALE 1:1

PROJECTION

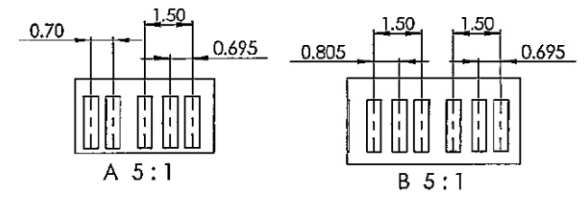


RECOMMEND P.C.B LAYOUT

▨=PATTERN PROHIBITED AREA



RECOMMENDED CARD SLOT DIMENSION



**MORETHANALL**  
CONNECTORS  
ASSEMBLIES

PART NO. MHC-W25-501

DWG NO. MHC-W25-501

CHECKED BY CY

TOLERANCES ARE

FILE NO.

DRAWING BY

.X ± 0.2  
.XX ± 0.1  
.XXX ±

DESCRIP TION:

煜倫股份有限公司

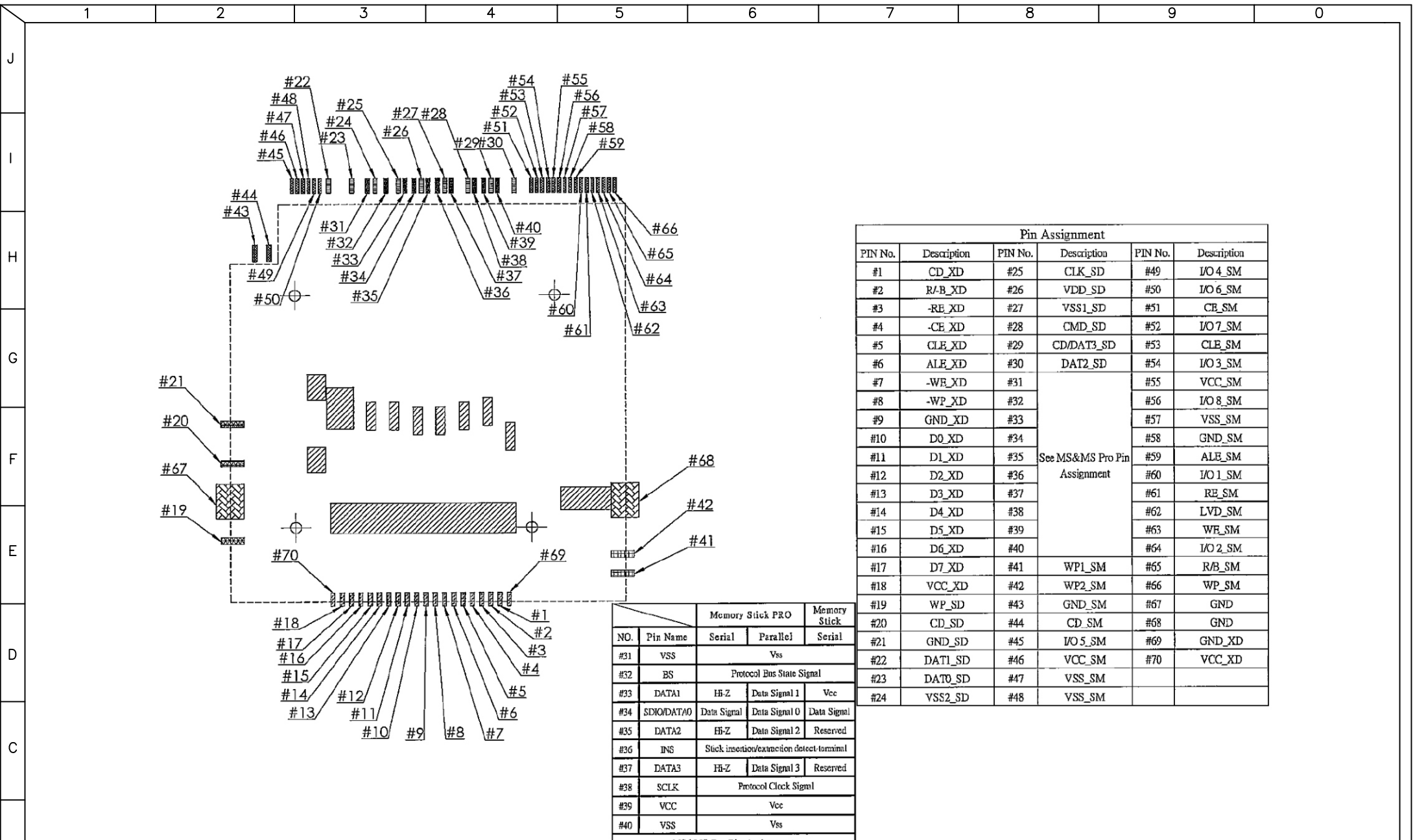
UNIT / mm

SCALE 1:1

PROJECTION

AWG

AREA	REVISIONS	HK	DATE



Pin Assignment					
PIN No.	Description	PIN No.	Description	PIN No.	Description
#1	CD_XD	#25	CLK_SD	#49	I/O 4_SM
#2	R/-B_XD	#26	VDD_SD	#50	I/O 6_SM
#3	-RE_XD	#27	VSS1_SD	#51	CE_SM
#4	-CE_XD	#28	CMD_SD	#52	I/O 7_SM
#5	CLE_XD	#29	CD/DAT3_SD	#53	CLE_SM
#6	ALE_XD	#30	DAT2_SD	#54	I/O 3_SM
#7	-WE_XD	#31	See MS&MS Pro Pin Assignment	#55	VCC_SM
#8	-WP_XD	#32		#56	I/O 8_SM
#9	GND_XD	#33		#57	VSS_SM
#10	D0_XD	#34		#58	GND_SM
#11	D1_XD	#35		#59	ALE_SM
#12	D2_XD	#36		#60	I/O 1_SM
#13	D3_XD	#37		#61	RE_SM
#14	D4_XD	#38		#62	LVD_SM
#15	D5_XD	#39		#63	WE_SM
#16	D6_XD	#40		#64	I/O 2_SM
#17	D7_XD	#41	WP1_SM	#65	R/B_SM
#18	VCC_XD	#42	WP2_SM	#66	WP_SM
#19	WP_SD	#43	GND_SM	#67	GND
#20	CD_SD	#44	CD_SM	#68	GND
#21	GND_SD	#45	I/O 5_SM	#69	GND_XD
#22	DAT1_SD	#46	VCC_SM	#70	VCC_XD
#23	DAT0_SD	#47	VSS_SM		
#24	VSS2_SD	#48	VSS_SM		

NO.	Pin Name	Memory Stick PRO		Memory Stick
		Serial	Parallel	Serial
#31	VSS	Vss		
#32	BS	Protocol Bus State Signal		
#33	DATA1	Hi-Z	Data Signal 1	Vcc
#34	SDIO/DATA0	Data Signal	Data Signal 0	Data Signal
#35	DATA2	Hi-Z	Data Signal 2	Reserved
#36	INS	Stick insertion/extraction detect-terminal		
#37	DATA3	Hi-Z	Data Signal 3	Reserved
#38	SCLK	Protocol Clock Signal		
#39	VCC	Vcc		
#40	VSS	Vss		

**MORETHANALL**  
CONNECTORS  
ASSEMBLIES

PART NO. MHC-W25-501

DWG NO. MHC-W25-501

FILE NO.

UNIT / mm

SCALE 1:1

CHECKED BY CY

DRAWING BY

PROJECTION

TOLERANCES ARE

.X ± 0.2

.XX ± 0.1

.XXX ±  
AWG

DESCRIPTION:

AREA	REVISIONS	HK	DATE

煜倫股份有限公司