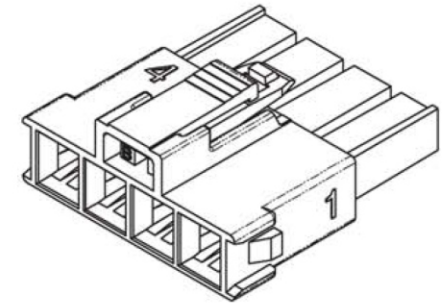
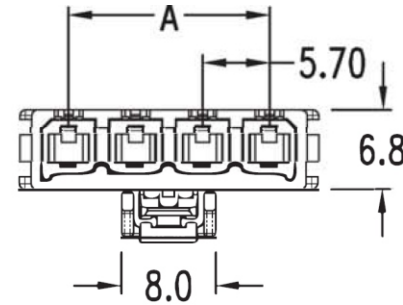
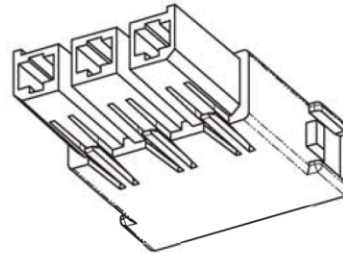
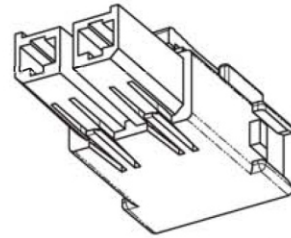


**Features:**

- 2 ~ 8 circuits available
- Material: UL 94V-0 nylon 66
- Color: Black

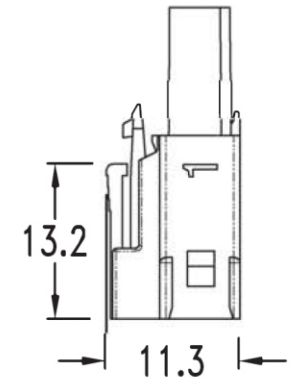
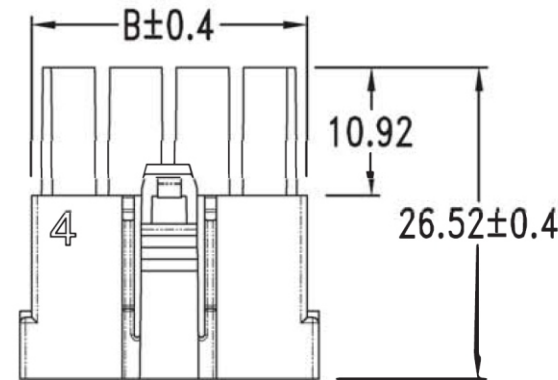


**Specification:**

- Current rating: With tinned AWG copper wire

Wire size		N							
AWG	Max. Ins. Dia.	2	3	4	5	6	7	8	
#12, 4.0mm <sup>2</sup>	.160" (4.06mm)	26	24	23	22	21	20	19	
#14, 2.5mm <sup>2</sup>	.141" (3.58mm)	23	22	21	20	20	19	19	
#16, 1.5mm <sup>2</sup>	.124" (3.15mm)	19.5	19	18	17	17	16	16	

- Voltage rating: 600V AC (RMS) or 600V DC Max.
- Insulation resistance: 1000MΩ Min.
- Dielectric withstanding voltage: 2200V AC/minute
- Ambient temperature range: -40°C ~ 105°C



**Dimensional Information ( mm )**

Circuit	Dim. A	Dim. B
N	5.7 x ( N - 1 )	5.7 x N + 0.65

&& N = 2 ~ 8

照片框

**RoHS Compliant**

TOLERANCES ARE

**MORETHANALL**  
PCB CONNECTORS  
Cable ASSEMBLIES

煜倫股份有限公司

www.morethanall.com

DRAWING BY CY

CHECKED BY GENIUS

UNIT / mm

SCALE 1 : 1

DATE

SIZE A4

PJECTION

X, ±  
.X ± 0.40  
.XX ± 0.25  
.XXX ± 0.10  
ANG ±

**ORDER INFORMATION**

MGF-SH-1Xxx-LF  
SERIES | LEADFREE  
1X02:02WAY  
1X08:08WAY  
HOUSING  
FEMALE

DESCRIPTION: