

Features:

- 2 ~ 12 circuits available
- Material: UL 94V-0 nylon 66
- Color: Black

Specification:

- Current rating: With tinned AWG copper wire

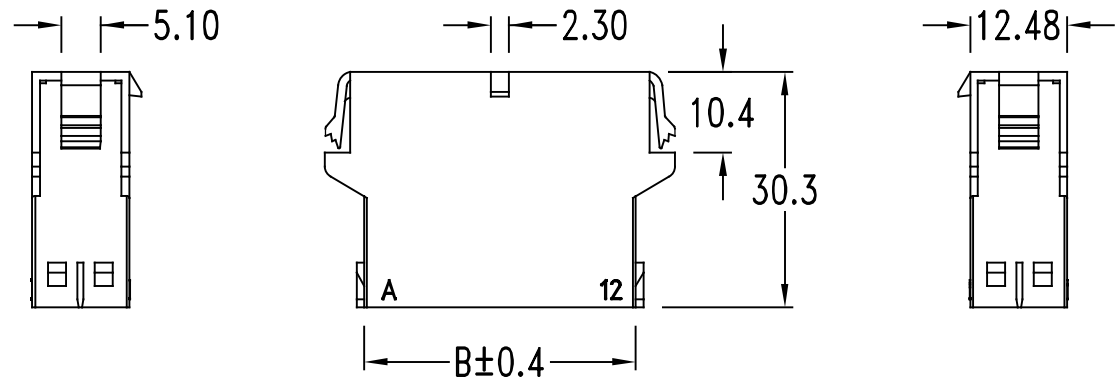
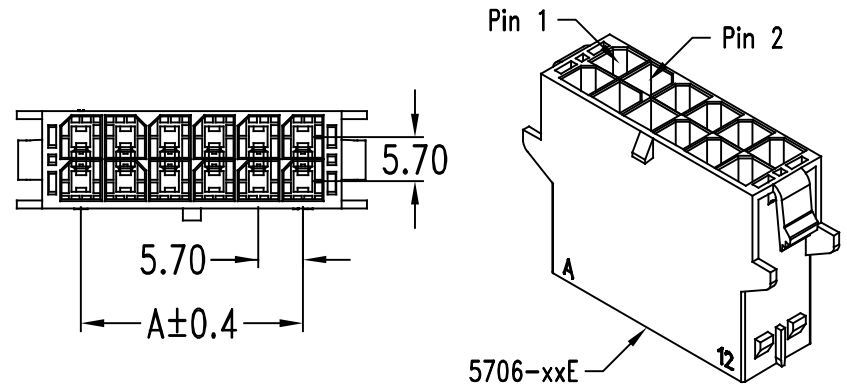
Wire size		N			
AWG	Max. Ins. Dia.	2	4	6	8~12
#12, 4.0mm ²	.162"(4.11mm)	23A	20A	18A	16A
#14, 2.5mm ²	.148"(3.75mm)	21A	17A	15A	13A
#16, 1.5mm ²	.125"(3.18mm)	17A	15A	13A	12A

- Voltage rating: 600V AC (RMS) or 600V DC Max.
- Insulation resistance: 1000MΩ Min.
- Dielectric withstanding voltage: 2200V AC/minute
- Ambient temperature range: -40°C ~ 105°C

Dimensional Information (mm)

Circuits	Dim. A	Dim. B
2	N / A	8.35
N	2.85 x N - 5.7	2.85 x N + 0.65

&& N = 4 ~ 12



RoHS Compliant

TOLERANCES ARE

MORETHANALL
PCB CONNECTORS
Cable ASSEMBLIES

煜倫股份有限公司

www.morethanall.com

DRAWING BY CY

CHECKED BY GENIUS

UNIT / mm

SCALE 1 : 1

DATE

SIZE A4

PJECTION

X, ±
.X ± 0.40
.XX ± 0.25
.XXX ± 0.10
ANG ±

照片框

ORDER INFORMATION

MGF-PHE-2Xxx-LF

SERIES

LEADFREE

2X01:02WAY

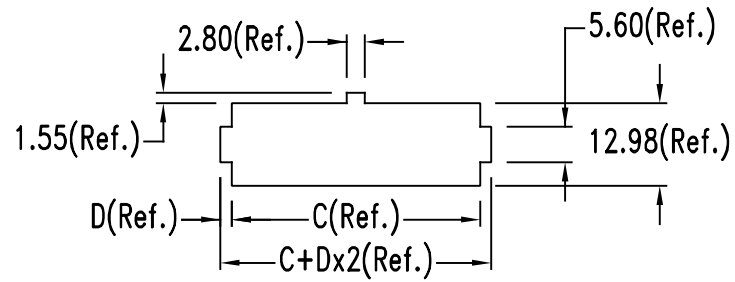
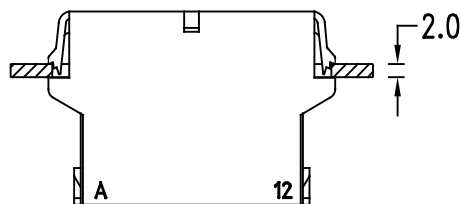
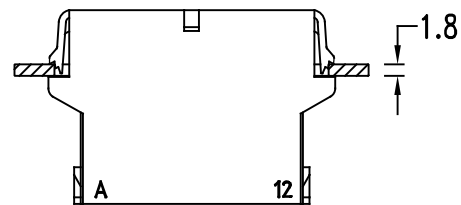
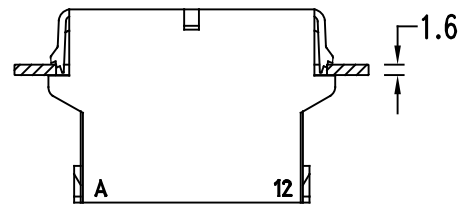
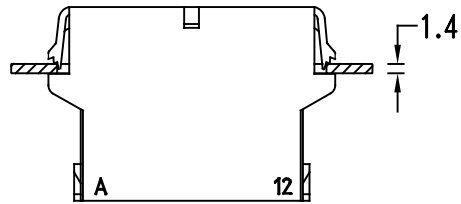
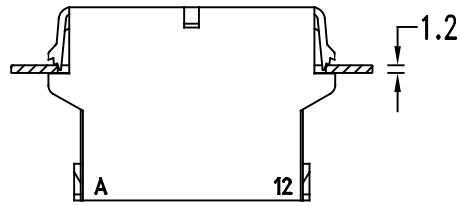
2X06:12WAY

EAR

HOUSING

MALE

DESCRIPTION: .224"(5.7mm) Crimp Terminal Housing



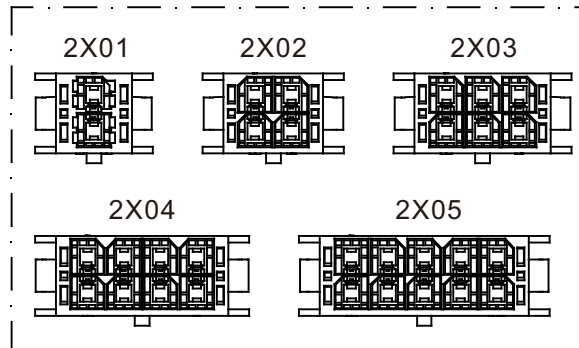
Recommended panel aperture size
Panel thickness: 1.2 ~ 2.0mm

Dimensional Information (mm)

Panel thickness	Dimensions	Circuits	
		2	N = 4 ~ 12
1.2 ~ 2.0	Dim. C	12.45	2.85 x N + 4.75

Panel thickness	Dimensions	Circuits	
		2, 4, 6	8, 10, 12
1.2	Dim. D	1.50	
1.4	Dim. D	1.60	
1.6	Dim. D	1.75	
1.8	Dim. D	1.90	2.0
2.0	Dim. D	2.40	

* Recommended panel thickness: 1.6mm



RoHS Compliant

TOLERANCES ARE

MORETHANALL
PCB CONNECTORS
Cable ASSEMBLIES

煜倫股份有限公司

www.morethanall.com

DRAWING BY CY

CHECKED BY GENIUS

UNIT / mm

SCALE 1 : 1

DATE

SIZE A4

X, ±
.X ± 0.40
.XX ± 0.25
.XXX ± 0.10
ANG ±

P PROJECTION

照片框

ORDER INFORMATION

MGF-PHE-2Xxx-LF

SERIES

LEADFREE

2X01:02WAY

2X06:12WAY

EAR

HOUSING

MALE

DESCRIPTION: .224" (5.7mm) Crimp Terminal Housing