
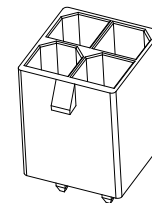


Specifications: 
 Current Rating: 12~21.0A AC/DC
 Voltage Rating: 600V AC/DC
 Contact Resistance: 30m ohm. Max.
 Insulation Resistance: 1000M ohm. Min.
 Withstanding Voltage: 600V AC For One Minute
 Operating Temperature Range: -40°C To +105°C

Materials:
 Insulator: LCP (UL94V-0)
 Insulator Color: Black
 Contact: High Performance Alloy
 Plating: Gold/Matte Tin plated



PIN No.	DIM A	DIM B
2X1	8.35	
2X2	12.05	5.70
2X3	17.75	11.40
2X4	23.45	17.10
2X5	29.15	22.80
2X6	34.85	28.50

RoHS Compliant

TOLERANCES ARE

MORETHANALL
 PCB CONNECTORS
 Cable ASSEMBLIES

煜倫股份有限公司

www.morethanall.com

DRAWING BY CY

CHECKED BY GENIUS

UNIT / mm

SCALE 1:1

DATE

SIZE A4

X. ±
 .X ± 0.20
 .XX ± 0.15
 .XXX ±
 ANG ±

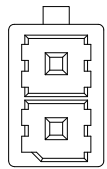
PPOJECTION 

照片框

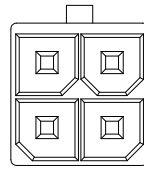
ORDER INFORMATION

MGF-PDX-2Xxx-LF
 SERIES | LEADFREE
 2X01:02WAY
 2X06:12WAY
 NON POST
 DIP 180°
 MALE

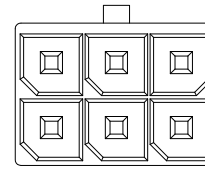
DESCRIPTION: 5.7mm POWER WAFER DUAL ROW W/O PEG



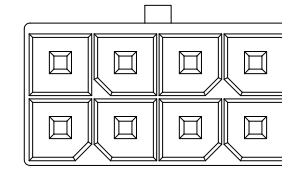
2X1 PIN



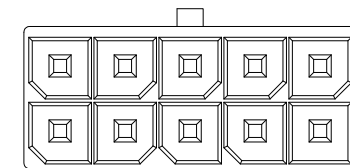
2X2 PIN



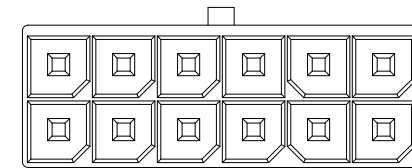
2X3 PIN



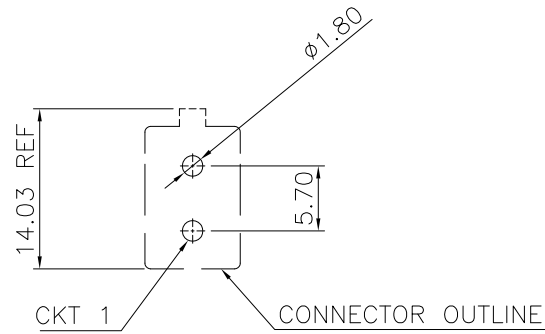
2X4 PIN



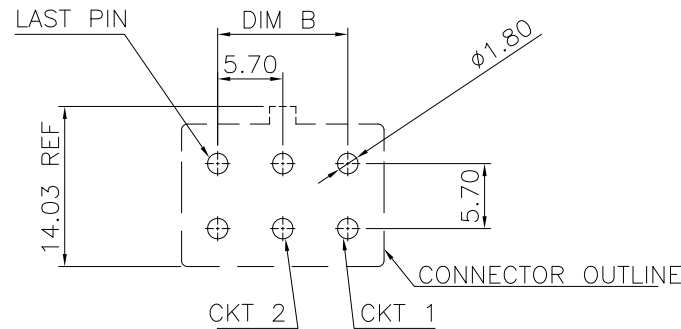
2X5 PIN



2X6 PIN



TOLERANCE: ± 0.05 , THICKNESS: 1.6mm
RECOMMENDED PCB LAYOUT
 (TOP VIEW)



TOLERANCE: ± 0.05 , THICKNESS: 1.6mm
RECOMMENDED PCB LAYOUT
 (TOP VIEW)

RoHS Compliant

TOLERANCES ARE

MORETHANALL
 PCB CONNECTORS
 Cable ASSEMBLIES

煜倫股份有限公司

www.morethanall.com

DRAWING BY CY

CHECKED BY GENIUS

UNIT / mm

SCALE 1:1

DATE

SIZE A4

PJECTION

X, \pm
 .X ± 0.20
 .XX ± 0.15
 .XXX \pm
 ANG \pm

照片框

ORDER INFORMATION

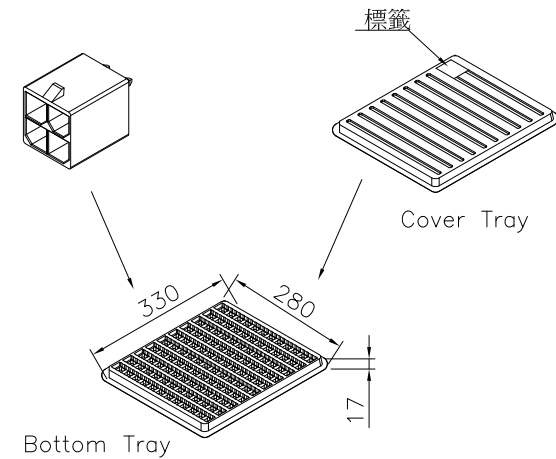
MGF-PDX-2Xxx-LF

SERIES | LEADFREE
 2X01:02WAY
 2X06:12WAY
 NON POST
 DIP 180°
 MALE

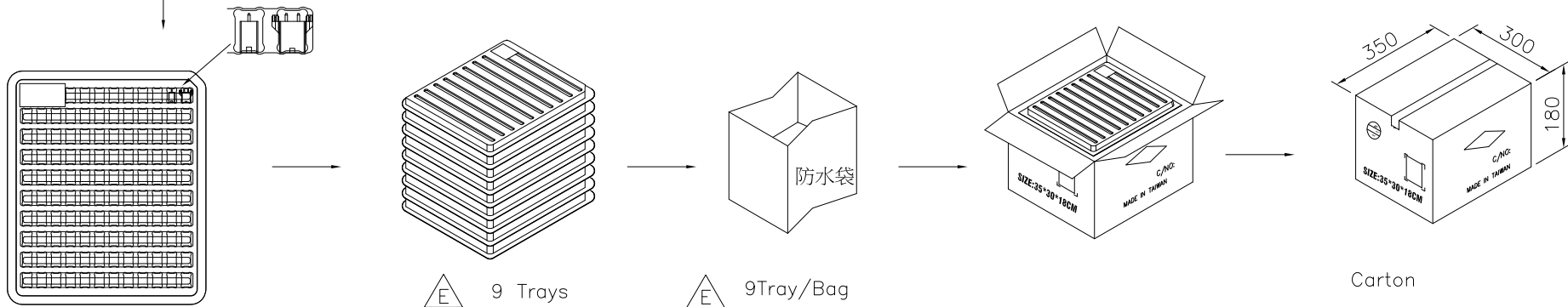
DESCRIPTION: 5.7mm POWER WAFER DUAL ROW W/O PEG

Note

- 1.Dimension:
 △E Tray Size:330(L)*280(W)*17(H) (mm)
 Carton Size:350(L)*300(W)*180(H) (mm)
- 2.Quantity:
 △E 9 Tray/Carton
- 3.包裝尾數箱，需要用填充物填充紙箱空隙



PIN No.	Pcs/Tray	Pcs/Carton
2	120	1080
4	120	1080
6	70	630
8	70	630
10	50	450
12	50	450



RoHS Compliant

TOLERANCES ARE

MORETHANALL
 PCB CONNECTORS
 Cable ASSEMBLIES

DRAWING BY CY

CHECKED BY GENIUS

UNIT / mm

SCALE 1 : 1

DATE

SIZE A4

X, ±
 .X ± 0.20
 .XX ± 0.15
 .XXX ±
 ANG ±

PPOJECTION

照片框

ORDER INFORMATION

MGF-PDX-2Xxx-LF
 SERIES | LEADFREE
 | 2X01:02WAY
 | 2X06:12WAY
 | NON POST
 | DIP 180°
 | MALE

DESCRIPTION: 5.7mm POWER WAFER DUAL ROW W/O PEG

煜倫股份有限公司

www.morethanall.com