

Features:

- Material: High conductivity copper alloy
- Finished: Tin-plated 100 μ " over nickel 30 μ "
- Wire range: #12 ~ #16 AWG

Specification:

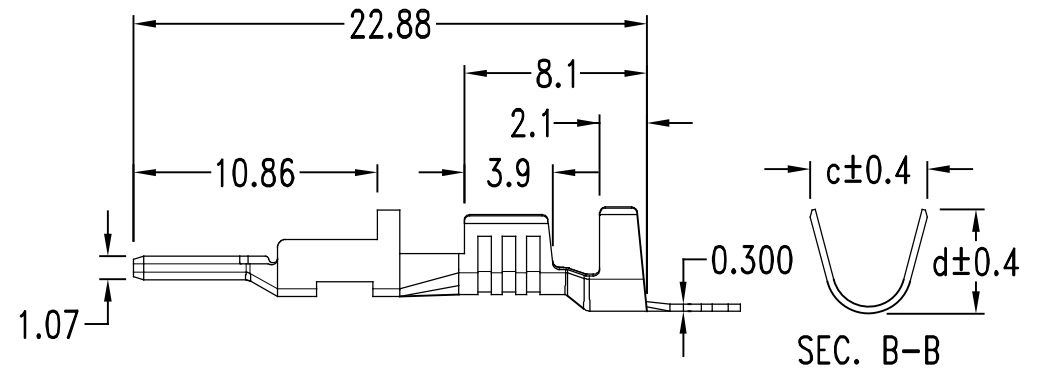
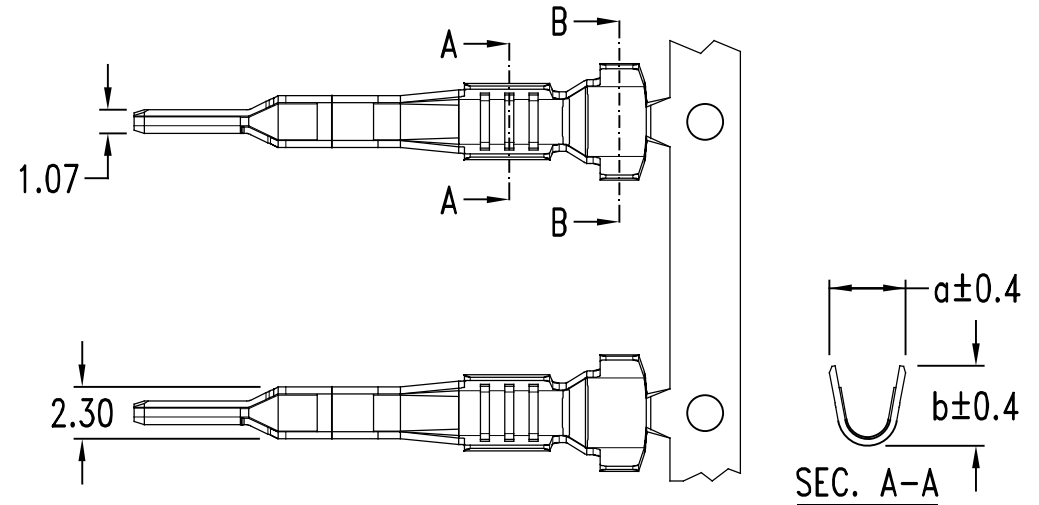
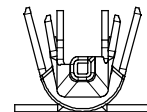
- Current rating: With tinned AWG copper wire

Wire size		N			
AWG	Max. Ins. Dia.	2	4	6	8~12
#12, 4.0mm ²	.162"(4.11mm)	23A	20A	18A	16A
#14, 2.5mm ²	.148"(3.75mm)	21A	17A	15A	13A
#16, 1.5mm ²	.125"(3.18mm)	17A	15A	13A	12A

- Voltage rating: 600V AC (RMS) or 600V DC Max.
- Contact resistance: 10m Ω Max.
- Dielectric withstanding voltage: 2200V AC/minute
- Ambient temperature range: -40°C ~ 105°C

Ordering & dimensional Information (mm)

Part No.	Wire range	Dim. a	Dim. b	Dim. b	Dim. b
MGF-MT-14	#14 ~ #16	3.4	3.57	5.2	4.64
MGF-MT-12	#12	5.0	4.8	5.6	5.15



照片框

RoHS Compliant

TOLERANCES ARE

DRAWING BY CY
 CHECKED BY GENIUS
 UNIT / mm SCALE 1 : 1
 DATE

X. \pm
 .X \pm 0.40
 .XX \pm 0.25
 .XXX \pm 0.10
 ANG \pm

SIZE A4 PPROJECTION

ORDER INFORMATION

MGF-MT-xx-LF
 SERIES | T LEADFREE
 14:14~16 WAY
 12:12 WAY
 TERMINAL
 MALE

DESCRIPTION: .224"(5.7mm) Male Crimp Terminal

MORETHANALL
 PCB CONNECTORS
 Cable ASSEMBLIES

煜倫股份有限公司

www.morethanall.com