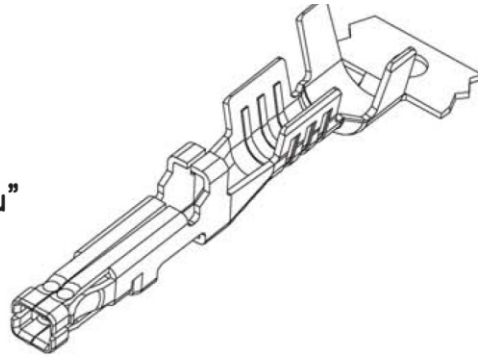


Features:

- Material: High conductivity copper alloy
- Finished: Tin-plated 100u" over nickel 30u"
- Wire range: #12 ~ #16 AWG



Specification:

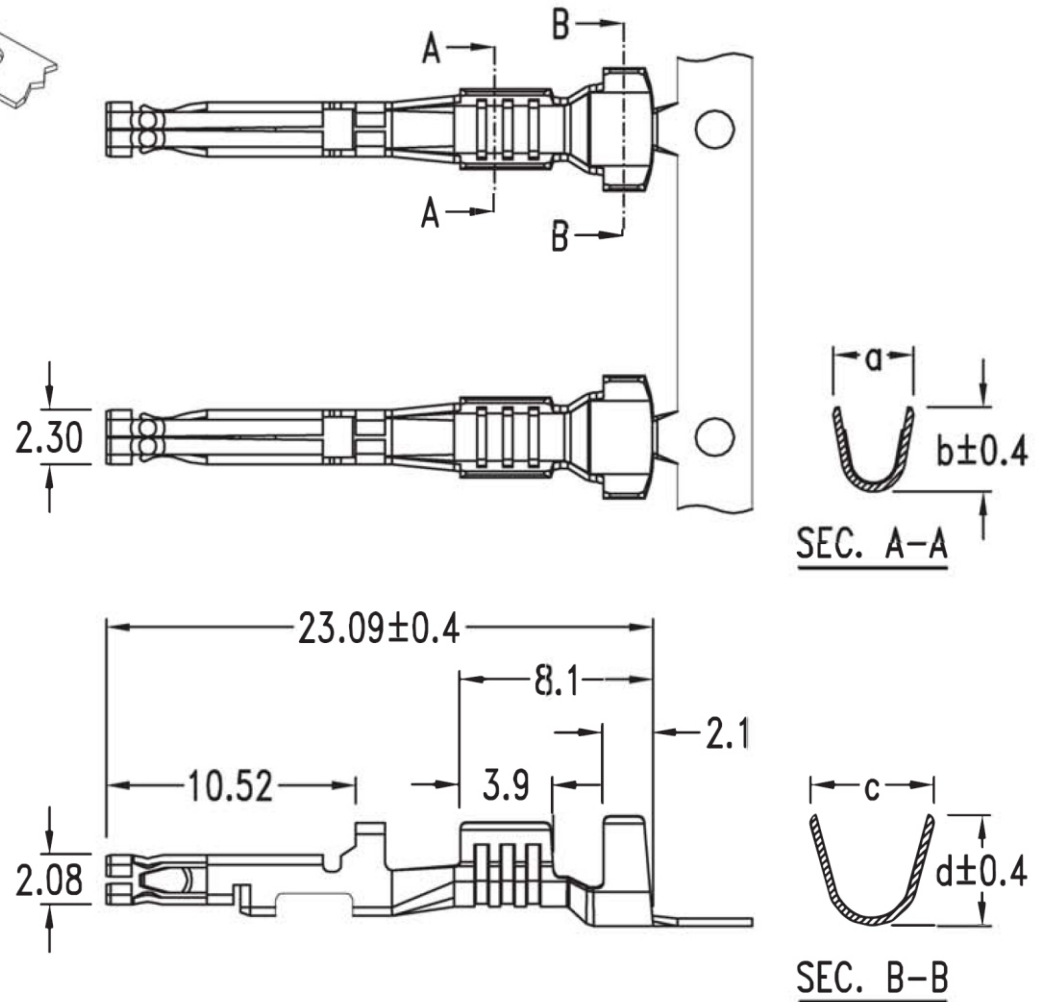
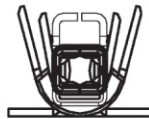
- Current rating: With tinned AWG copper wire

Wire size		N							
AWG	Max. Ins. Dia.	2	3	4	5	6	7	8	
#12, 4.0mm ²	.160"(4.06mm)	26	24	23	22	21	20	19	
#14, 2.5mm ²	.141"(3.58mm)	23	22	21	20	20	19	19	
#16, 1.5mm ²	.124"(3.15mm)	19.5	19	18	17	17	16	16	

- Voltage rating: 600V AC (RMS) or 600V DC Max.
- Contact resistance: 10mΩ Max.
- Dielectric withstanding voltage: 2200V AC/minute
- Ambient temperature range: -40°C ~ 105°C

Ordering & dimensional Information (mm)

Part No.	Wire range	Dim. a	Dim. b	Dim. c	Dim. d
MGF-FT-1416	#14 ~ #16	3.4	3.55	5.2	4.65



RoHS Compliant

TOLERANCES ARE

MORETHANALL
PCB CONNECTORS
Cable ASSEMBLIES

DRAWING BY CY

X, ±
.X ± 0.40
.XX ± 0.25
.XXX ± 0.10
ANG ±

CHECKED BY GENIUS

UNIT / mm SCALE 1 : 1

DATE

SIZE A4

PJECTION

照片框

ORDER INFORMATION

MGF-FT-1416-LF
SERIES | LEADFREE
14~16 AWG
TERMINAL
FEMALE

煜倫股份有限公司

www.morethanall.com

DESCRIPTION: