

| | | |
|---|-------|---|
| A | COLOR | B |
| 1 | RED | 1 |
| 4 | BLACK | 2 |

NOTES:

1. ALL DIMENSIONS ARE "mm".
2. THE PRODUCT MUST BE COMPLY WITH THE DIRECTIVE OF ROHS.

ELECTRICAL TESTING:

1. 100% OPEN/SHORT TEST
2. CONTACT RESISTANCE: 5Ω Max
3. INSULATION RESISTANCE: 20MΩ Min

| NO. | ITEM. | DESCRIPTION | Q'TY |
|-----|-------------------|------------------|------|
| 1 | WIRE: | UL1015 #16 BLACK | 1PCS |
| 2 | WIRE: | UL1015 #16 RED | 1PCS |
| 3 | HOUSING: | MF-SH-2X02 | 1PCS |
| 4 | TERMINAL: | MF-FT-16 | 2PCS |
| 5 | TERMINAL BLOCK: | TBH050-SW-02 | 1PCS |
| 6 | Waterproof label: | | 2PCS |

RoHS Compliant

TOLERANCES ARE

MORETHANALL
PCB CONNECTORS
Cable ASSEMBLIES

煜倫股份有限公司

www.morethanall.com

DRAWING BY CY

CHECKED BY GENIUS

UNIT / mm SCALE 1:1

DATE

SIZE A4

X. ±
.X ±
.XX ±
.XXX ±
ANG ±

PJECTION

照片框

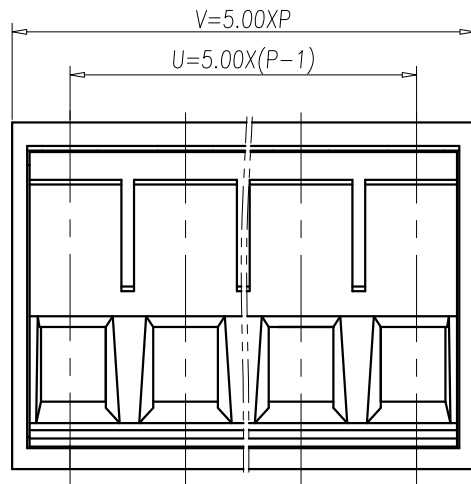
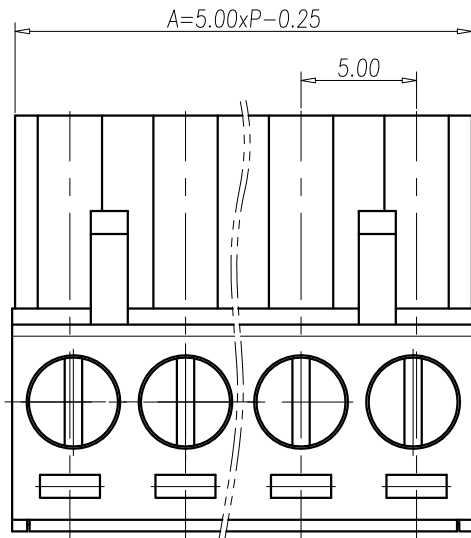
ORDER INFORMATION

MFTBH-B020216-F24N-LF

SERIES

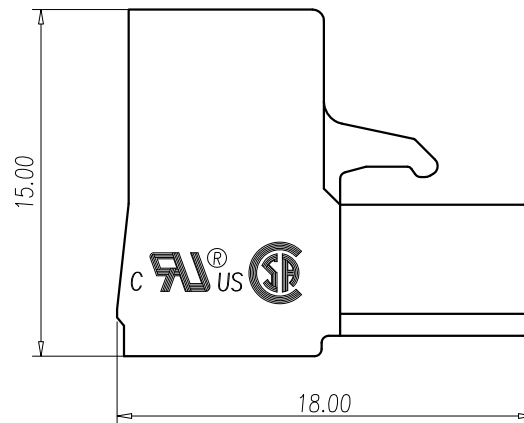
LEADFREE
610mm
FEMALE TO FEMALE
16 AWG
04 TO 04 WAY

DESCRIPTION: CABLE ASS'Y



| | | | | | | | | |
|---|-------|-------|--------|--------|--------|--------|--------|-------|
| P | 2 | 3 | 4 | 5 | 6 | 7 | 8 | 9 |
| U | 5.00 | 10.00 | 15.00 | 20.00 | 25.00 | 30.00 | 35.00 | 40.00 |
| V | 10.00 | 15.00 | 20.00 | 25.00 | 30.00 | 35.00 | 40.00 | 45.00 |
| P | 10 | 11 | 12 | 13 | 14 | 15 | 16 | 17 |
| U | 45.00 | 50.00 | 55.00 | 60.00 | 65.00 | 70.00 | 75.00 | 80.00 |
| V | 50.00 | 55.00 | 60.00 | 65.00 | 70.00 | 75.00 | 80.00 | 85.00 |
| P | 18 | 19 | 20 | 21 | 22 | 23 | 24 | |
| U | 85.00 | 90.00 | 95.00 | 100.00 | 105.00 | 110.00 | 115.00 | |
| V | 90.00 | 95.00 | 100.00 | 105.00 | 110.00 | 115.00 | 120.00 | |

| Total Pitch Tolerances | | Normal Dimension Tolerances | |
|------------------------|-------|-----------------------------|-------|
| 0~30 | ±0.20 | 0~30 | ±0.25 |
| over 30~53 | ±0.25 | over 30~53 | ±0.30 |
| over 53~70 | ±0.30 | over 53~70 | ±0.35 |
| over 70~90 | ±0.35 | over 70~90 | ±0.44 |
| over 90~115 | ±0.44 | over 90~115 | ±0.55 |
| over 115~150 | ±0.55 | over 115~150 | ±0.70 |
| over 150~200 | ±0.70 | over 150~200 | ±0.85 |
| over 200~250 | ±0.85 | over 200~250 | ±1.00 |
| over 250~320 | ±1.00 | over 250~320 | ±1.20 |



NOTES 1:

UL Standard :

1. Rating: 300V 15A
2. Insulation Withstands Voltage: AC 2000V at 1 minute
3. Using Temperature Range: -40°C~+115°C
4. Screw Torque Value: 0.5N·m
5. Suitable Electric Wire: AWG 28~12(sol)
30~12(str)

IEC Standard:

1. Rating: 600V 18A
2. Rate Impulse Voltage: 4000V
3. Insulation Resistance: 500MΩ or more at DC500V
4. Material Group : I
5. Pollution Degree : 2
6. Overvoltage Category: II
7. Using Temperature Range: -40°C~+110°C
8. Screw Torque Value: 0.4N·m
9. Suitable Electric Wire: 0.2~2.5mm²

NOTES 2:

1. RoHS compliance
2. Strip Length: 7~8mm

| | | | |
|------|--------------|--------------|----------------|
| 5 | SCREW | STEEL | M2.5/Zn Plated |
| 4 | WIRE CAGE | STEEL | Zn Plated |
| 3 | CLAMP | COPPER ALLOY | Tin Plated |
| 2 | COVER | PA66 | UL94-V0 GREEN |
| 1 | HOUSING | PA66 | UL94-V0 GREEN |
| ITEM | NAME OF PART | MATERIAL | NOTES |

RoHS Compliant

TOLERANCES ARE

MORETHANALL
PCB CONNECTORS
Cable ASSEMBLIES

DRAWING BY CY

CHECKED BY GENIUS

UNIT / mm

SCALE 1 : 1

DATE

SIZE A4

PJECTION

X, ±
.X ±
.XX ±
.XXX ±
ANG ±

照片框

ORDER INFORMATION

TBH050-SW-xx-LF

SERIES

LEADFREE

02~24WAY

SCREW 90°

FEMALE

煜倫股份有限公司

www.morethanall.com

DESCRIPTION: