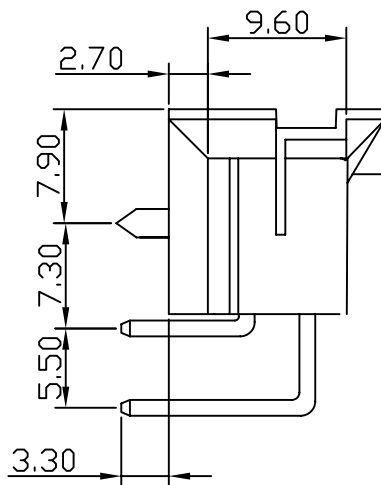
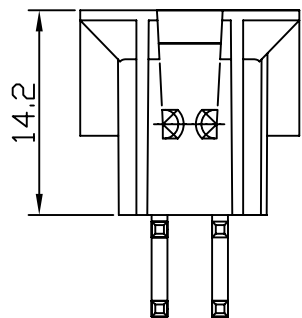


Recommended P.C.B Layout



SPECIFICATIONS

Current Rating: 5A AC, DC
 Voltage Rating: 600V AC,DC
 Operating Temp.: -25°C ~ +85°C
 Insulation Resistance: 1000MΩ/ min.
 Dielectric Withstanding Voltage: 1500V AC/ min.
 Contact Resistance:10mΩ/ max.

Material

Terminal Material: Brass/Tin-Plated
 Material: Nylon 66, UL94V-0

MFB-PRP-2X02-LF
 LEADFREE

RoHS Compliant



PART NO. MFB-PRP-2X02

DWG NO. MFB-PRP-2X02

FILE NO.

CHECKED BY CY

DRAWING BY

TOLERANCES ARE
 .X ± 0.35
 .XX ±
 .XXX ±
 AWG

DESCRIP TION:

4.2mm Wire-to-Board Header
 DIP 90° Type (BMI)

煜倫股份有限公司

UNIT / mm

SCALE 1:1

PROJECTION

AREA

REVISIONS

HK

DATE