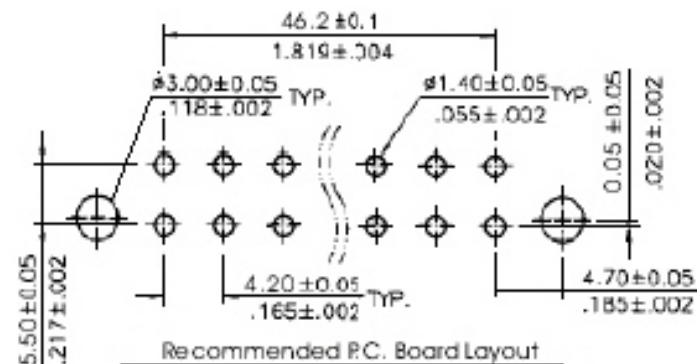


Material :

* Insulation: Nylon66, Color Nature

* Contact: Brass



RoHS Compliant

TOLERANCES ARE

MORETHANALL
PCB CONNECTORS
Cable ASSEMBLIES

DRAWING BY CY

X.±

CHECKED BY GENIUS

.X±

UNIT / mm

SCALE 1:1

.XX±

DATE

.XXX±

ANG ±

煜倫股份有限公司

www.morethanall.com

SIZE A4

PPOJECTION

照片框

ORDER INFORMATION

MFB-PDP-2X12-LF
SERIES | LEADFREE
| 24WAY
| POST
| DIP 180°
| MALE

DESCRIPTION: