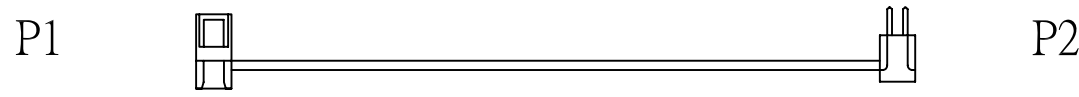
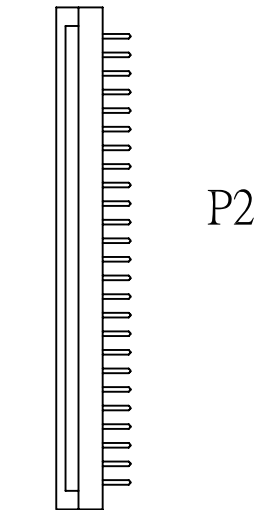
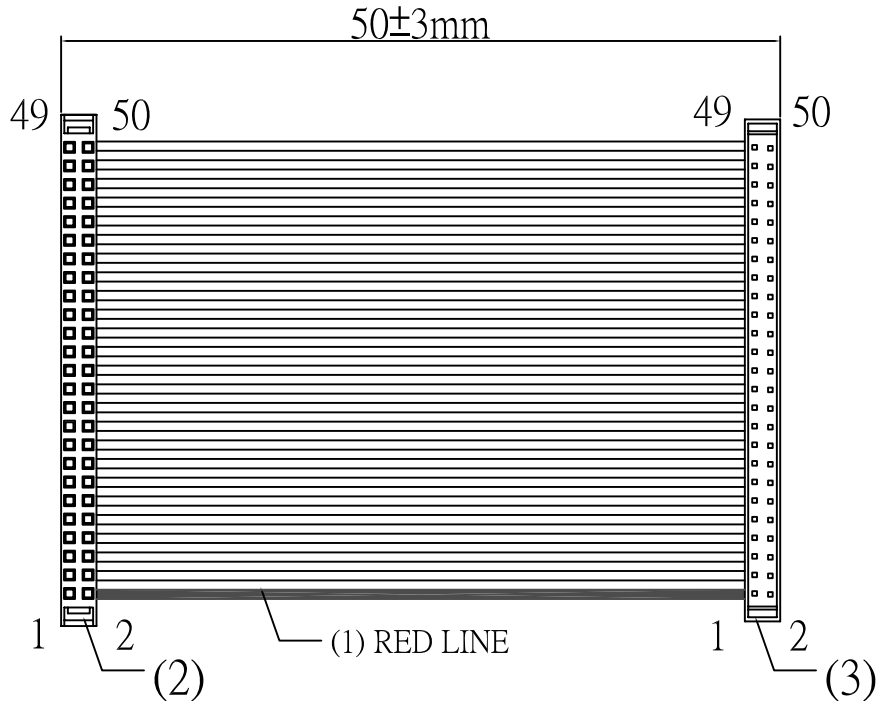


MF2MIP-5050-A5C-LF  
LEADFREE

RoHS Compliant



P1	COLOR	P2	P1	COLOR	P2	P1	COLOR	P2
1	RED	1						
2	GRAY	2						
3	GRAY	3						
49	GRAY	49						
50	GRAY	50						

NO	MATERIAL	NO	MATERIAL
1.	UL2651 28# 1.00mm 50P VW-1 CSA 105°C 300V FLAT CABLE Color:GRAY		
2.	IDC-SOCKET (無耳)(兩件式) (PH:2.0mm-2*25)*1	4.	
3.	DIP (霧錫) (PH:2.0mm-2*25)*1	5.	



PART NO. MF2MIP-5050-A5C		CHECKED BY CY		TOLERANCES ARE .X ± 0.2 .XX ± .XXX ± AWG	DESCRIP TION:			
DWG NO. MF2MIP-5050-A5C		DRAWING BY			AREA	REVISIONS	HK	DATE
UNIT / mm		SCALE 1:1	PROJECTION					

煜倫股份有限公司