

Features:

- 2 circuits available

Specification:

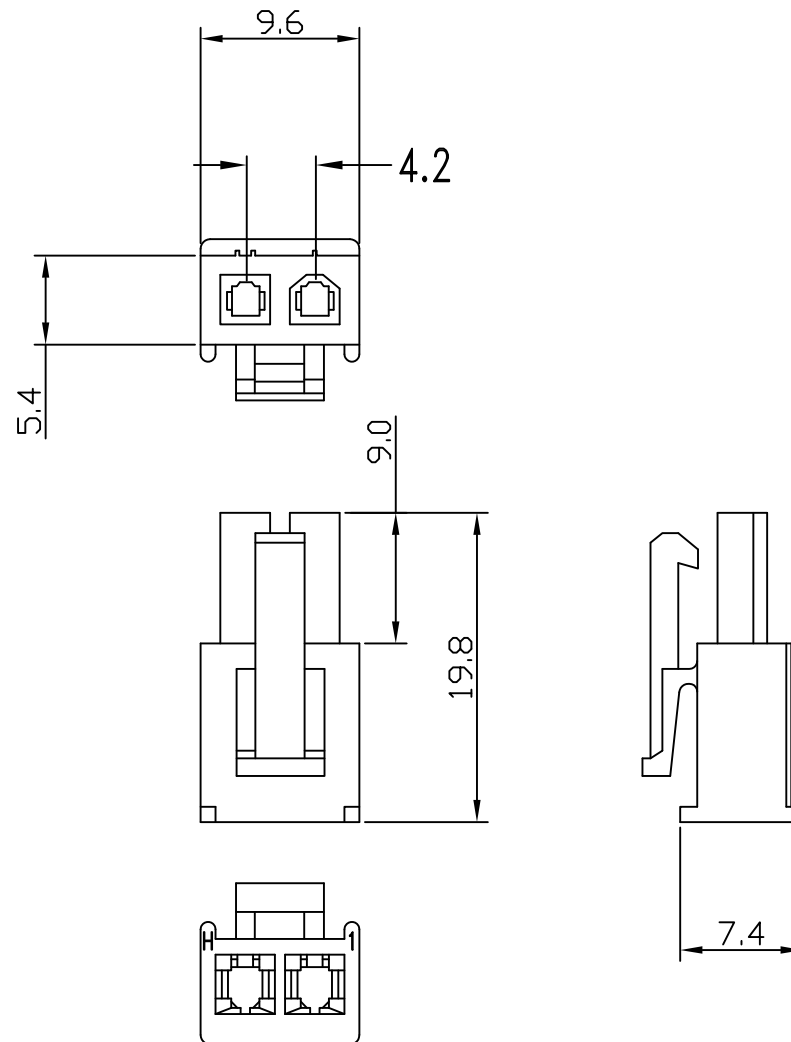
- Current rating and wire size:

Wire Size AWG	Circuits
# 16	9 A
# 18	9 A
# 20	7 A
# 22	5 A
# 24	4 A
# 26	3 A
# 28	2 A

Ordering Information

Part No.	Material
MF-SHV0-1X02-LF	UL 94V-0

- Voltage rating: 600V (R.M.S.)
- Insulation resistance: DC 500V 1000MΩ min.
- Dielectric withstanding voltage: 1500V AC/minute
- Ambient temperature range: -25°C ~ 85°C
(including temperature rise)



RoHS Compliant

TOLERANCES ARE

MORETHANALL
PCB CONNECTORS
Cable ASSEMBLIES

煜倫股份有限公司

www.morethanall.com

DRAWING BY CY

CHECKED BY GENIUS

UNIT / mm SCALE 1 : 1

DATE

SIZE A4

PPOJECTION

X, ±
.X ± 0.40
.XX ± 0.25
.XXX ± 0.08
ANG ±

照片框

ORDER INFORMATION

MF-SHV0-1X02-LF
SERIES | 94V-0 | LEADFREE
HOUSING | 02 WAY | FEMALE

DESCRIPTION: .165" (4.2mm) Single Row Receptacle Housing