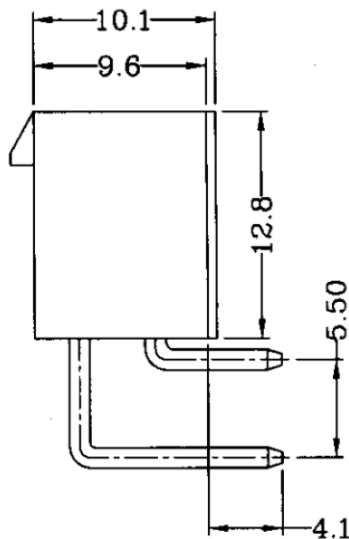
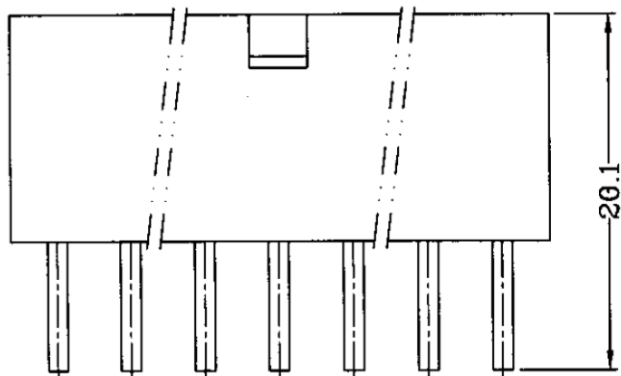


P.C.B LAYOUT

Material: \*Insulator: Nylon 66 UL 94V-2 & 94V-0  
 \*Contact: 1.14mm Tin Plated Square Pin

Dimensional Information:

Circuits	Dimensions		PCS/BAG
	A	B	
2	—	5.40	500
4	4.20	9.60	500
6	8.40	13.80	250
8	12.60	18.00	250
10	16.80	22.20	250
12	21.00	26.40	250
14	25.20	30.60	200
16	29.40	34.80	200
18	33.60	39.00	200
20	37.80	43.20	100
22	42.00	47.40	100
24	46.20	51.60	100



RoHS Compliant

TOLERANCES ARE

**MORETHANALL**  
 PCB CONNECTORS  
 Cable ASSEMBLIES

DRAWING BY CY  
 CHECKED BY GENIUS  
 UNIT / mm SCALE 1 : 1  
 DATE

X, ±  
 .X ± 0.25  
 .XX ± 0.15  
 .XXX ± 0.08  
 ANG ±

照片框

ORDER INFORMATION

MF-PRXD41-2Xxx-LF  
 SERIES LEADFREE  
 2X02:04WAY  
 2X12:24WAY  
 DIP 4.1mm  
 MALE NON POST  
 DIP 90°

煜倫股份有限公司

www.morethanall.com

SIZE A4 PROJECTION

DESCRIPTION: