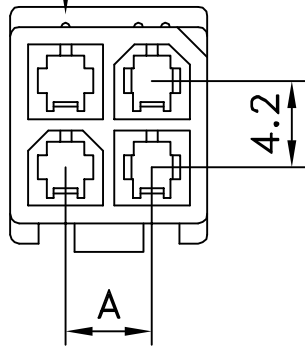
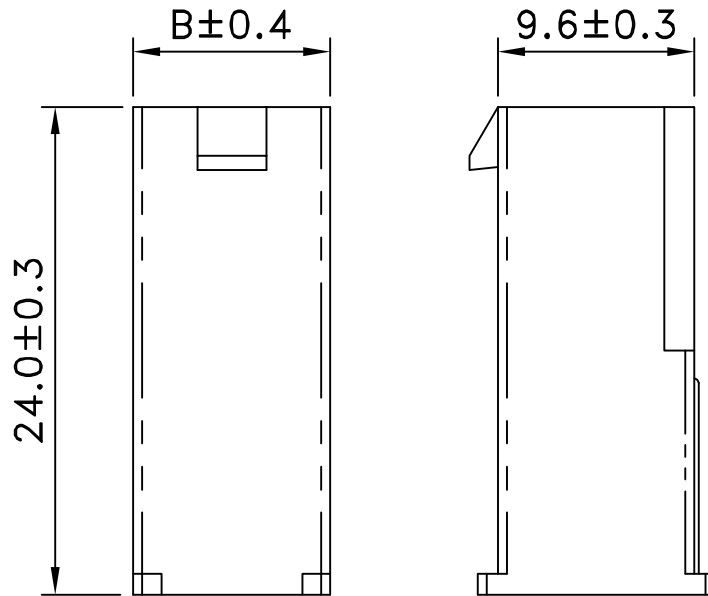


Circuit 1



FEATURES :

- MAT'L: NYLON 66 UL94V-2
- CURRENT RATING: 6A AC,DC
- VOLTAGE RATING: 250V AC,DC



Dimensional Information

Circuits	Dim. A	Dim. B
2		5.4
4	4.20	9.6
6	8.40	13.8
8	12.60	18.0
10	16.80	22.2
12	21.00	26.4
14	25.20	30.6
16	29.40	34.8
18	33.60	39.0
20	37.80	43.2
22	42.00	47.4
24	46.20	51.6

RoHS Compliant

TOLERANCES ARE

MORETHANALL
PCB CONNECTORS
Cable ASSEMBLIES

DRAWING BY CY

CHECKED BY GENIUS

UNIT / mm

SCALE 1:1

DATE

SIZE A4

X, ±
.X ± 0.25
.XX ± 0.15
.XXX ± 0.10
ANG ±

PJECTION

照片框

ORDER INFORMATION

MF-PHX-2Xxx-LF
SERIES | LEADFREE
2X01:02 WAY
2X12:24 WAY
NON EAR
HOUSING
MALE

煜倫股份有限公司

www.morethanall.com

DESCRIPTION: