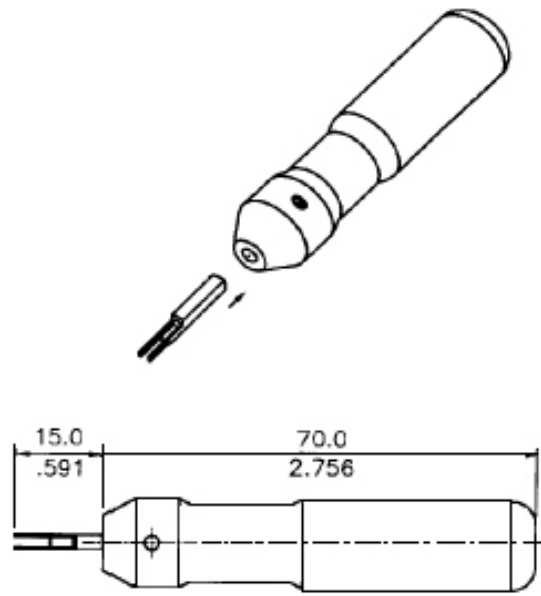
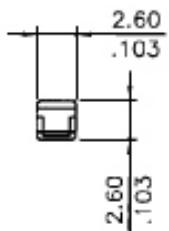
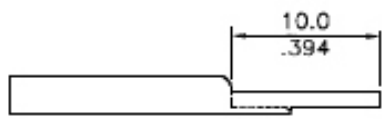
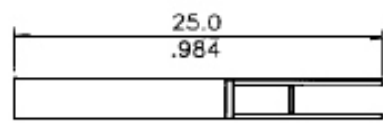


1 2 3 4 5 6 7 8 9 0

J
I
H
G
F
E
D
C
B
A



P/N : MF-EXT-FT

P/N : MF-EXT-MT



PART NO. **MF-EXT-F(M)T**

DWG NO. **MF-EXT-F(M)T**

CHECKED BY CY

TOLERANCES ARE

DESCRIP TION:

FILE NO.

DRAWING BY

.X ±
.XX ±
.XXX ±
AWG

AREA

REVISIONS

HK

DATE

煜倫有限公司

UNIT / mm

SCALE 1:1

PROJECTION