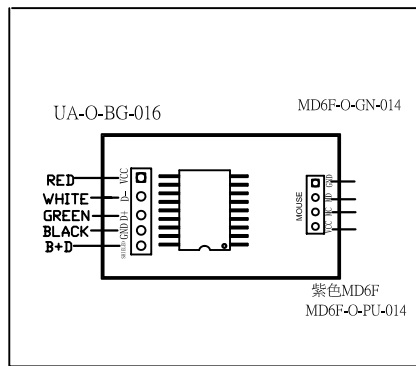


NOTE:
 1.CABLE COLOR: BEIGE.(FKBGU02).
 2.MOLDING COLOR: BEIGE.(FKBGU02)



10		CARTON:46*30*25CM	1/300	PCS
9		PE BAG:880*880*0.08MM	1/300	PCS
8		TIE:A50/WHITE	1	PCS
7		PCB:SMT-US001-2303&213	1	PCS
6		PVC-貝吉/50<FKBGU02>	15	G
5		PE-透明<FKPE01>	10	G
4		SOL-WIRE-63/37-1.0	0.1	G
3		半成品線材:P/N:MD6F-O-GN-014	1	PCS
2		半成品線材:P/N:MD6F-O-PU-014	1	PCS
1		半成品線材:P/N:UA-O-BG-016	1	PCS
NO	PART NO.	DESCRIPTION	QTY	UNIT

MORETHANALL
 CONNECTORS
 ASSEMBLIES

PART NO. MDUB-064A-A50C

DWG NO. MDUB-064A-A50C

CHECKED BY CY

TOLERANCES ARE

DESCRIP TION:

6P MINI DIN/USB A MALE+DRIVER
 L: 500mm

FILE NO.

DRAWING BY

.X ± 0.2
 .XX ±
 .XXX ±
 AWG

AREA

REVISIONS

HK

DATE

煜倫股份有限公司

UNIT / mm

SCALE 1:1

PROJECTION