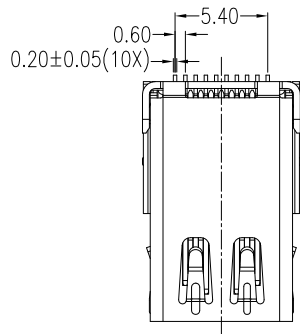


Unit:mm

| Part NO. | Dim A | P.C.B Thickness |
|--------------------|-------|-----------------|
| MDSP-SRW55PM31R-20 | 3.10 | 2.50 |



| Top Row | | | Bottom Row | | |
|---------|-------------|--------------|------------|-------------|----------------|
| Pin NO. | Signal Type | Pin Name | Pin NO. | Signal Type | Pin Name |
| 1 | GND | GND | 2 | In | HotPlug_Detect |
| 3 | Out | ML_Lane 0(p) | 4 | CONFIG | CONFIG1 |
| 5 | Out | ML_Lane 0(n) | 6 | CONFIG | CONFIG2 |
| 7 | GND | GND | 8 | GND | GND |
| 9 | Out | ML_Lane 1(p) | 10 | Out | ML_Lane 3(p) |
| 11 | Out | ML_Lane 1(n) | 12 | Out | ML_Lane 3(n) |
| 13 | GND | GND | 14 | GND | GND |
| 15 | Out | ML_Lane 2(p) | 16 | I/O | AUX_CH(p) |
| 17 | Out | ML_Lane 2(n) | 18 | I/O | AUX_CH(n) |
| 19 | GND | GND | 20 | PWR Out | DP_PWR |

NOTES:

***Material**

Body: LCP UL94V-0.
 Insert(Molding): LCP UL94V-0.
 Retainer: LCP UL94V-0.
 Contact: Copper Alloy;
 Plating: Au plating on contact area;
 Sn(100u" Min.) plating on solder tail;
 Ni(50u" Min.) underplating overall.
 Shell: Brass;
 Plating: Ni(50u" Min.) Plating .

***Mechanical**

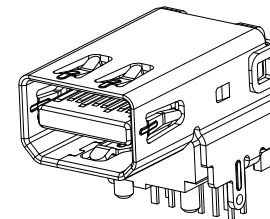
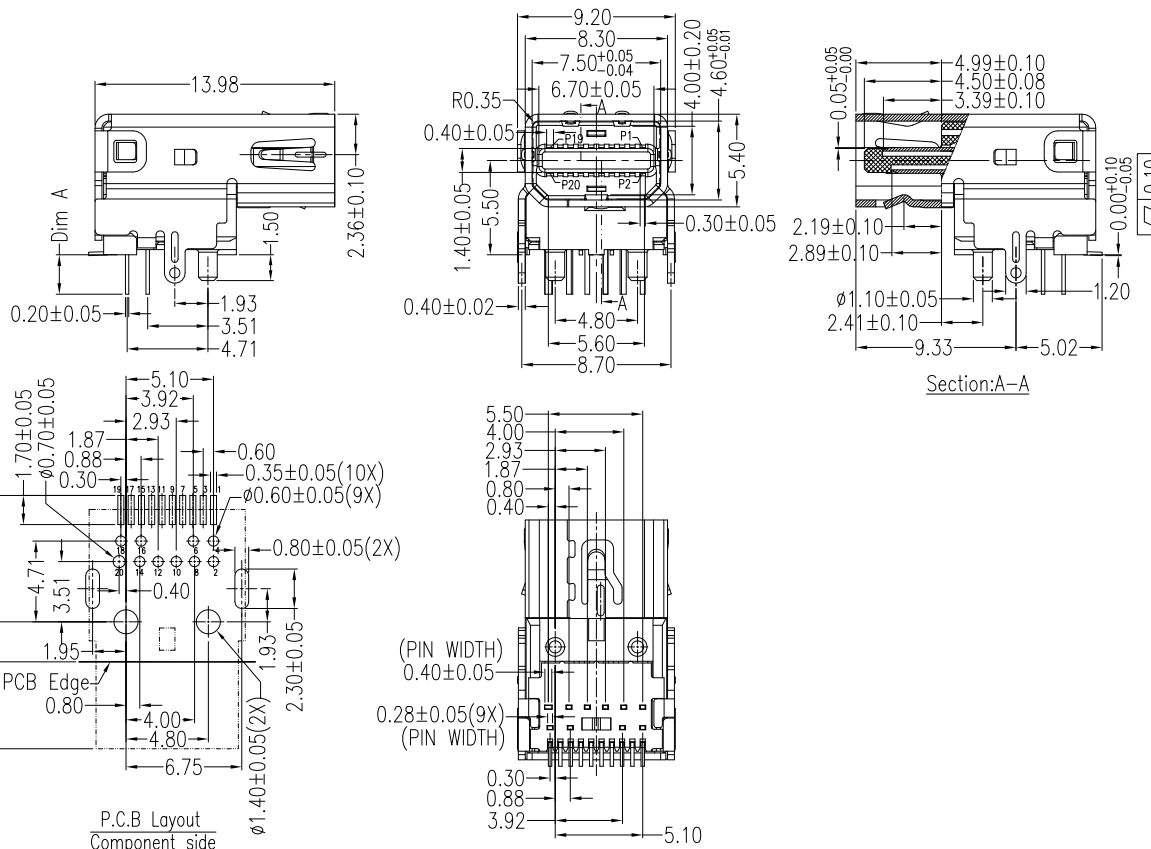
Insertion Force: 4.5Kg Max
 Withdrawal Force: 1.0~4.0Kg Min
 Durability: 10000 Cycles

***Electrical Specification**

Current Rating: 0.5 Ampere per contact
 Contact Resistance: 30 mΩ max.
 Insulation Resistance: 100MΩ Min
 Dielectric Withstanding Voltage: 500V AC Min

***Environmental**

Operating Temperature: -40°c to +85°c.



RoHS Compliant

TOLERANCES ARE



煜倫股份有限公司

www.morethanall.com

DRAWING BY CY

CHECKED BY GENIUS

UNIT / mm

SCALE 1 : 1

DATE

SIZE A4

PJECTION

X, ±
 X ± 0.35
 .XX ± 0.25
 .XXX ± 0.15
 ANG ± 3°

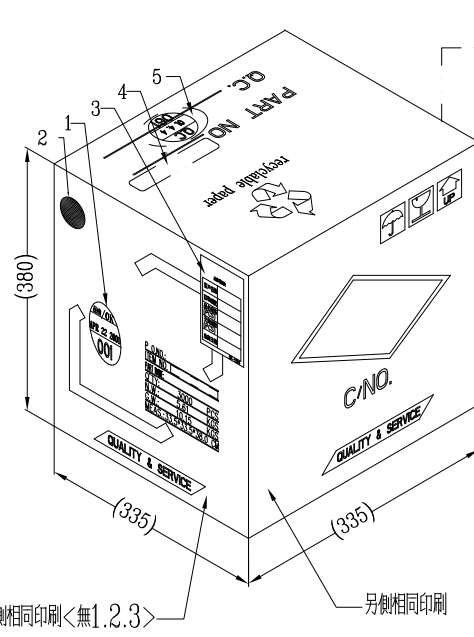
照片框

ORDER INFORMATION

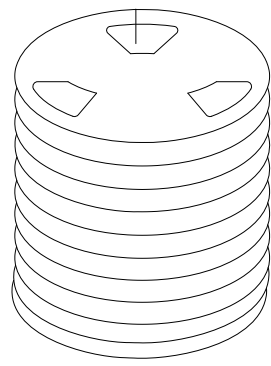
MDSP-SRW55PM31R-20-LF

SERIES | | | | | LEADFREE
 FEMALE | | | | | 20 WAY
 DIP 90° | | | | | REEL
 90°SMT | | | | | PIN LONG 3.1mm
 HIGH 5.5mm | | | | | METAL FOOT
 POST

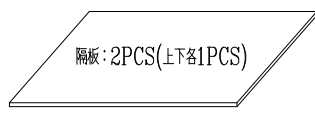
DESCRIPTION: Mini Displayport Receptacle DIP+SMT (APPLE 5.5) No Mark



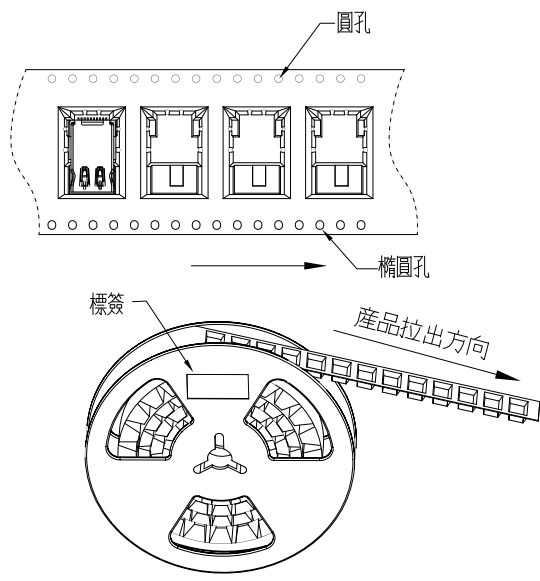
另側相同印刷<無1.2.3> 另側相同印刷



10 REELS



隔板: 2PCS(上下各1PCS)



| | |
|------------|--|
| 客戶名稱 | |
| 訂單編號 | |
| 品名規格 | |
| 交貨總數 (PCS) | |
| 單箱數量 (PCS) | |
| 出貨日期 | |

QR-1504

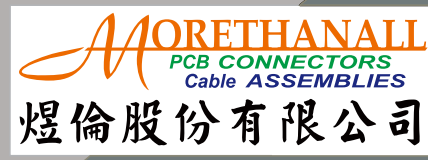
| 類型 | 材質 | 規格(Unit:mm) | 數量 |
|------|--------|-------------------------|----------|
| 外箱 | A=A | 335*335*380 | 1PCS |
| 隔板 | A1A | 332*332*3 | 2PCS |
| 旋轉膠盤 | PC | φ330*φ100 | 10PCS |
| 承載膠帶 | PS(透明) | 32(W)*5376(L)*0.50(T) | 10PCS |
| 封裝膠帶 | PET | 25.5(W)*5376(L)*0.05(T) | 54.05M/箱 |
| PE袋 | PE | 600(開口)*1000*0.05 | 1PCS |

- *加蓋印記位置
1. 品管注介章(檢驗合格章)
 2. 月份標記
 3. 出貨明細表
 4. 該產品料號.
 5. 生產製造日期, 檢驗員代號.
 6. 紙箱尺寸為內空間尺寸.

- 注: 1. 成品組裝完成並QC完之後, 將其裝入承載帶內, 同時用封裝膠帶熱封。
 2. 檢查REEL包裝卷帶是否有鬆動, 如有鬆動, 需重新貼緊。
 3. 全檢OK後, 將Reel盤裝入PE袋, FQC復檢。
 4. 若包裝易吸濕產品在PE袋內加放1包干燥劑, 外箱貼易吸濕標籤。
 5. 每一REEL卷盤上都貼上料號及蓋印本廠D/C和數量, 若有特殊要求請貼上客戶料號等。
 標籤貼在橢圓孔的一邊, 每一REEL卷盤上都要在標籤上蓋印D/C, 特別注明:
 ①. 產品上有噴D/C, 則不需蓋印本廠D/C. ②. 客戶標籤上含蓋有D/C的, 不需蓋印本廠D/C.
 6. 產品裝好REEL出貨時, 拉出端和卷入端各空18PCS不放產品。
 7. 該包裝所用外箱, 隔板, PE袋均與BZ472-1規格相同, 僅外箱印字不同。

*PACKING
 300 PCS/REEL
 10 REELS/CARTON(共計3000pcs)

*PACKING DETAILS
 P/O.NO.:
 ITEM NO.:
 PART NAME:
 Q'TY: 3000 PCS
 N.W.: 5.61 KGS
 G.W.: 10.15 KGS
 MEAS.: 33.5*33.5*38.0 CM



www.morethanall.com

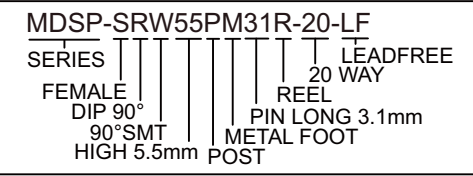
RoHS Compliant

| | |
|-------------------|-------------|
| DRAWING BY CY | |
| CHECKED BY GENIUS | |
| UNIT / mm | SCALE 1 : 1 |
| DATE | |
| SIZE A4 | PJECTION |

| |
|----------------|
| TOLERANCES ARE |
| X. ± |
| .X ± 1.50 |
| .XX ± 0.50 |
| .XXX ± |
| ANG ± |

照片框

ORDER INFORMATION



DESCRIPTION: Mini DP REC DIP+SMT (Apple 5.5) Reel 包裝規範圖