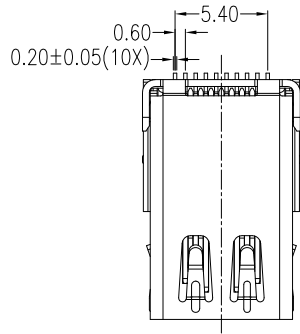


Unit:mm

Part NO.	Dim A	P.C.B Thickness
MDSP-SRW55PM31-20	3.10	2.50



Top Row			Bottom Row		
Pin NO.	Signal Type	Pin Name	Pin NO.	Signal Type	Pin Name
1	GND	GND	2	In	HotPlug_Detect
3	Out	ML_Lane 0(p)	4	CONFIG	CONFIG1
5	Out	ML_Lane 0(n)	6	CONFIG	CONFIG2
7	GND	GND	8	GND	GND
9	Out	ML_Lane 1(p)	10	Out	ML_Lane 3(p)
11	Out	ML_Lane 1(n)	12	Out	ML_Lane 3(n)
13	GND	GND	14	GND	GND
15	Out	ML_Lane 2(p)	16	I/O	AUX_CH(p)
17	Out	ML_Lane 2(n)	18	I/O	AUX_CH(n)
19	GND	GND	20	PWR Out	DP_PWR

NOTES:

***Material**

Body: LCP UL94V-0.
 Insert(Molding): LCP UL94V-0.
 Retainer: LCP UL94V-0.
 Contact: Copper Alloy;
 Plating: Au plating on contact area;
 Sn(100u" Min.) plating on solder tail;
 Ni(50u" Min.) underplating overall.
 Shell: Brass;
 Plating: Ni(50u" Min.) Plating .

***Mechanical**

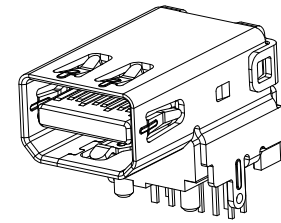
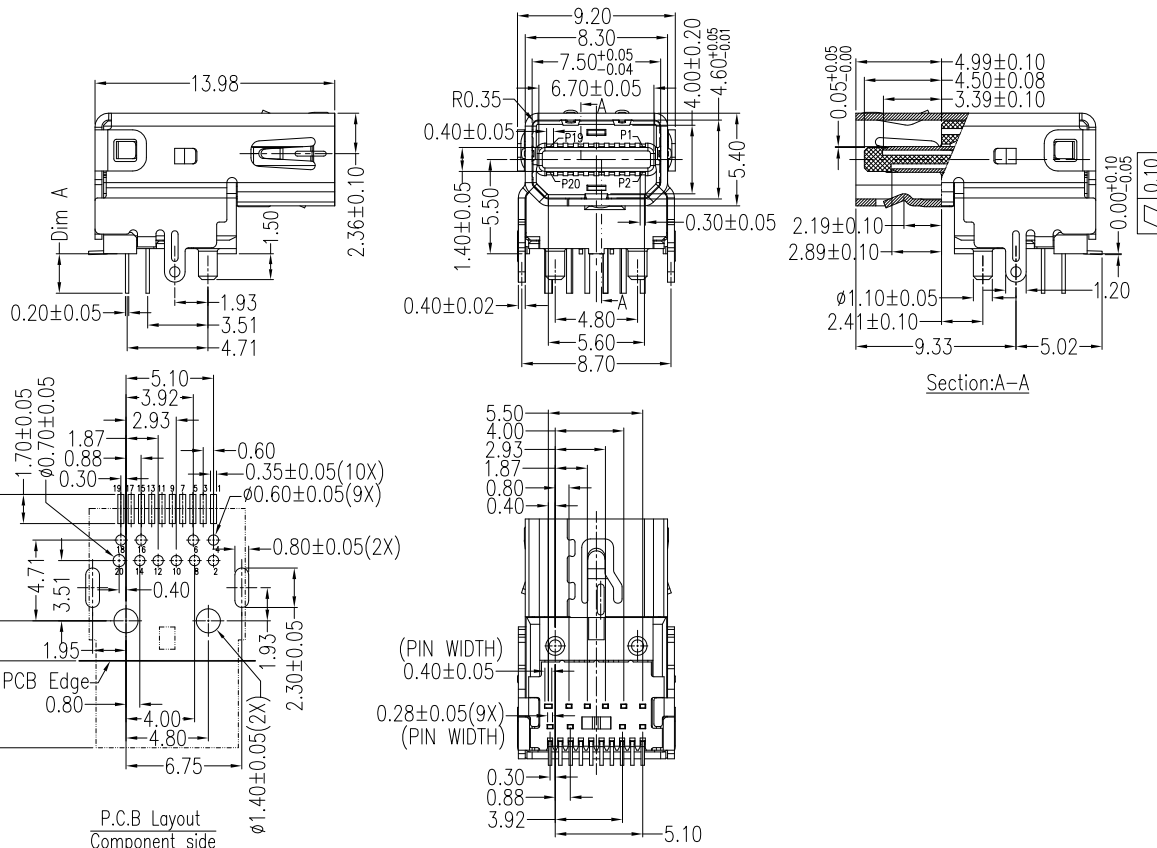
Insertion Force: 4.5Kg Max
 Withdrawal Force: 1.0~4.0Kg Min
 Durability: 10000 Cycles

***Electrical Specification**

Current Rating: 0.5 Ampere per contact
 Contact Resistance: 30 mΩ max.
 Insulation Resistance: 100MΩ Min
 Dielectric Withstanding Voltage: 500V AC Min

***Environmental**

Operating Temperature: -40°c to +85°c.



RoHS Compliant

TOLERANCES ARE



煜倫股份有限公司

www.morethanall.com

DRAWING BY CY

CHECKED BY GENIUS

UNIT / mm

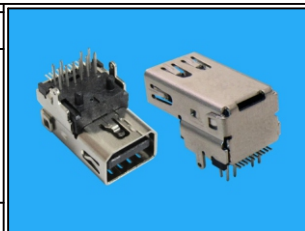
SCALE 1 : 1

DATE

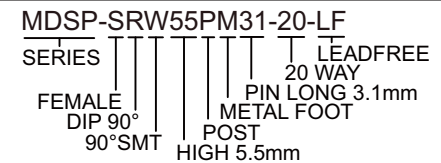
SIZE A4

PJECTION

X, ±
 .X ± 0.35
 .XX ± 0.25
 .XXX ± 0.15
 ANG ± 3°



ORDER INFORMATION



DESCRIPTION: Mini Displayport Receptacle DIP+SMT (APPLE 5.5) No Mark